

CODE NO.  
CATALOG NO.

**Magic Aire®**

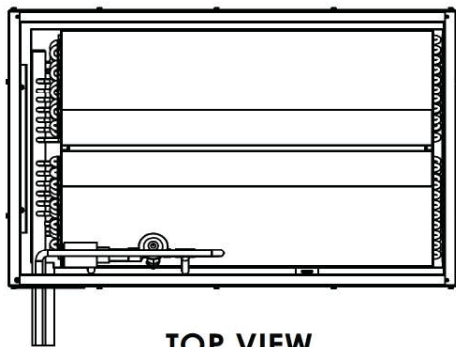
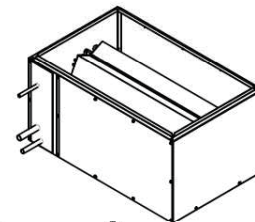
THIS DOCUMENT IS THE PROPERTY OF UNITED ELECTRIC CO. LP AND IS DELIVERED UPON THE EXPRESS CONDITION THAT THE CONTENTS WILL NOT BE DISCLOSED OR USED WITHOUT UNITED ELECTRIC CO. LP'S WRITTEN CONSENT.

SUBMISSION OF THESE DRAWINGS OR DOCUMENTS DOES NOT CONSTITUTE PART PERFORMANCE OR ACCEPTANCE OF CONTRACT.

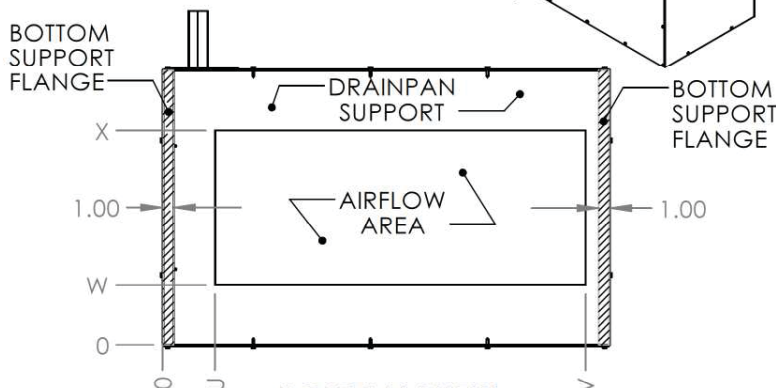
**V-SERIES  
COIL AND CABINET**

**VXF/  
VWF**

**V-SERIES COIL  
SIZES 30 AND 40  
(7.5 AND 10 TONS)**

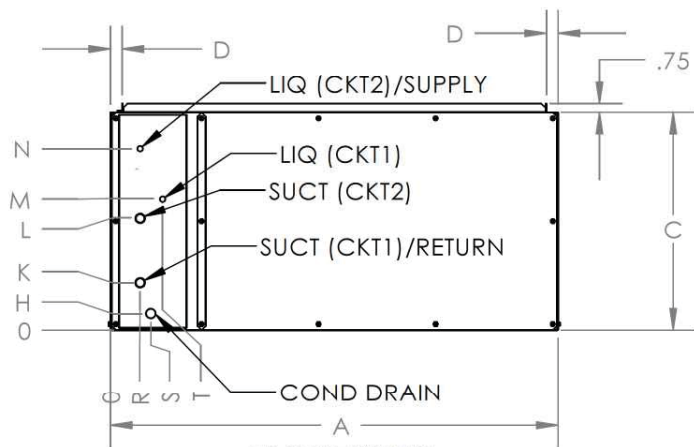


**TOP VIEW**

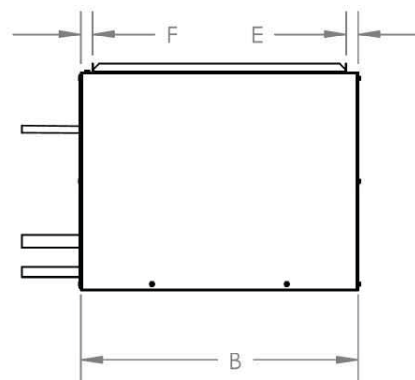


**BOTTOM VIEW**

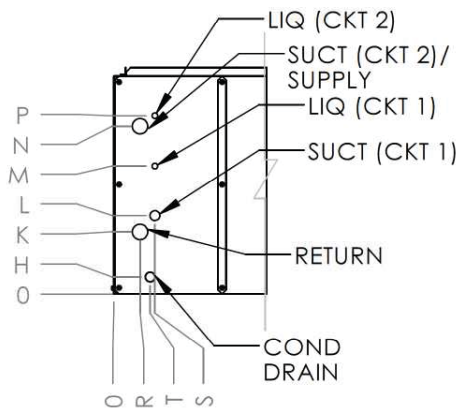
NOTE: BOTTOM FLANGES ARE APPROX 1INCH BELOW DRAINPAN SUPPORT.



**FRONT VIEW**



**RIGHT SIDE VIEW**



**FRONT VIEW  
(SIZE 40 ONLY)**

MODEL	A	B	C	D	E	F
V_FA30	39.9	24.7	19.4	1.0	1.1	1.0
V_FA40	52.1	24.7	19.4	1.0	1.0	1.0

MODEL	H	K	L	M	N	P	R	S	T
V_FA30-single ckt	1.6	4.3	N/A	11.7	N/A	N/A	1.7	2.7	3.6
V_FA30-dual ckt	1.6	4.3	10.0	11.7	14.3	N/A	1.7	2.7	3.6
V_FA40	1.6	5.5	7.0	11.4	15.0	15.9	1.3	2.2	2.2

MODEL	U	V	W	X
V_FA30	4.7	37.7	5.5	19.2
V_FA40	4.4	49.4	6.3	18.3

MODEL	CONNECTION SIZES (O.D.)						
	DX-CKT #1		DX-CKT #2		HYDRONIC		COND DRAIN
	LIQ	SUCT	LIQ	SUCT	SUPPLY	RETURN	
V_FA30-single ckt	5/8"	1-1/8"	-	-	1-1/8"	1-1/8"	7/8"
V_FA40-single ckt	-	-	-	-	1-1/8"	1-1/8"	7/8"
V_FA30-dual ckt	1/2"	7/8"	1/2"	7/8"	-	-	7/8"
V_FA40-dual ckt	1/2"	7/8"	1/2"	7/8"	-	-	7/8"

PRODUCT INFORMATION IS SUBJECT TO CHANGE WITHOUT NOTICE

JOB NAME: \_\_\_\_\_ JOB #: \_\_\_\_\_ LOCATION: \_\_\_\_\_ BUYER: \_\_\_\_\_ BUYER #: \_\_\_\_\_ DRAWING NO. **V-Series Submittal 8-1-13** REV: -