

## FE5B Infinity® Series

### Communicating Variable-Speed Multipoise Fan Coil with Puron Advance™ (R-454B) Refrigerant Sizes 24 thru 60



Turn to the experts

## Product Data



A10082

### PREMIUM ENVIRONMENTALLY RESPONSIBLE FAN COIL

The latest in technology makes the FE5B fan coil models the most advanced air handlers available. With attention to quiet, efficient, and comfortable operation, Carrier has developed a new benchmark for homeowner comfort and ease of installation.

The FE5B utilizes the Infinity Control as a required accessory to enable state of the art smart-diagnostics capability. This enables faster troubleshooting, providing ease of service and repair. The FE5B also provides a 4-wire hook up with matching outdoor unit and the Infinity Control. This makes installation simpler and a lot quicker than with conventional fan coils. The FE5B has advanced technology that allows the fan coil to self-configure with a matching outdoor unit and the Infinity Control, cutting down on installation time. Always update to the latest software version when installing the FE5B fan coil.

The FE5B features Puron Advance refrigerant, the low-GWP (Global Warming Potential) and chlorine-free alternate that is the future for the residential heating and cooling industry. The FE5B using Puron Advance refrigerant maximizes performance for environmentally responsible systems. In addition to environmental safety, these systems are 30 to 40% more efficient than standard heating and cooling systems, thereby combining excellence in efficiency and environmental sustainability.

The FE5B provides these benefits due to Carrier's command of Electronically Commutated Motor (ECM) technology. These motors are extremely efficient at all speeds, and enable the FE5B to operate at the correct speed to deliver airflow precisely, ensuring proper performance across a wide range of duct static pressures. This adaptive efficiency also

makes installation quality easier to achieve for today's demanding homeowner.

Carrier's command of ECM technology may be most evident in the comfort advantages that an ECM can deliver. For true comfort, the homeowner can achieve command of both temperature and humidity in cooling and heating modes.

Another feature which sets the FE5B apart is the factory-installed TXV, which enhances efficiency and provides compressor-protecting operation at all recommended conditions. Grooved tubing, louvered aluminum fins, and the large face areas of the FE5B refrigerant coils also provide superior efficiency, for high SEER2 and HSPF2 performance.

Carrier leads the way in condensate control, a hallmark of these multipoise fan coils. All of these featured components are protected within a rugged, pre-painted metal cabinet lined with super-thick, high-density insulation. For neat, high quality installations, the unit exterior features sweat refrigerant connections for simple leak free performance, and multiple electrical entry for both high and low voltage service.

Assembled at the factory compliant with low leak requirements of less than 2% cabinet leakage rate at 1.0 inches W.C. and 1.4% cabinet leakage rate at 0.5 inches W.C. when tested in accordance with ASHRAE 193 standard.

## FEATURES

### Smart Diagnostics

- Self configuring (ease of installation).
- Easier troubleshooting, providing faster service and repair.
- Energy Tracking capability with the Infinity Wall Control. (Energy Tracking has the ability to monitor and estimate the energy consumption of your Infinity system.)
- Compatibility with wall control depends on software version. Check the installation instructions for minimum requirements.

### Environmentally Responsible Refrigerant Technology

- Puron Advance refrigerant – the low-GWP, chlorine-free, non-ozone depleting refrigerant.
- Refrigerant leak detection dissipation system for added safety and peace of mind for the homeowner.
- Thermostatic Expansion Valve (TXV) designed to maximize performance with Puron Advance refrigerant. Bi-flow hard-shutoff with mechanical fittings.

### Energy Efficient Operation

- Electronically Commutated Motor (ECM) operates efficiently at all speeds.
- Maximizes efficiency of heating and cooling systems.
- Ultra-low power consumption during fan only operation.

## Comfort Control

- Warm, comfortable heating air temperatures.
- Unmatched humidity control

## Airflow and Sound Technology

- Logarithmic spiral blower housings for high blower efficiency and quiet operation.
- Diffuser air discharge section for high airflow efficiency and quiet, smooth operation.
- High duct static capability.
- Design meets stringent regulations for cabinet air leakage of less than 2% cabinet leakage rate at 1.0 inches W.C. and 1.4% cabinet leakage rate at 0.5 inches W.C. when tested in accordance with ASHRAE 193 standard.

## Condensate Control and Disposal Technology

- Minimal standing water - less microbial growth for improved IAQ and reduced condensate line clogging and related condensate leakage.
- Condensate fittings relocated away from turbulent airflow patterns at the blower entrance for improved condensate control performance.
- Overflow feature for slope coil units allows condensate to exit the unit without damage to product under clogged primary and secondary line conditions.
- Tested for condensate disposal at conditions much more severe than those required by ARI.
- Primary and secondary drain connections to comply with HUD.
- All pans constructed of an injection molded glass-filled polycarbonate engineered resin material, with brass drain connections.
- High density, super thick cabinetry insulation with vapor barrier.
- Pre-painted galvanized sheet metal cabinet.

## Heat Transfer Technology

- Grooved tubing.
- Lanced sine wave aluminum fins.
- Discreet refined counterflow refrigerant circuitry.
- Bi-flow hard-shutoff TXV metering device with mechanical fittings.

## Quality Assisting, Ease of Installation and Service Features

- Easy 4-wire hook up: convenient and reduces installation time.
- Multipoise unit.
- Provision made for suspending from roof or ceiling joints.
- Modular cabinet for size 60, and available for sizes 36 and 48.
- Sweat connections for leak free service.
- Straight stub-outs on liquid and vapor service lines, long enough to either swage for brazing or use for brazeless press fittings.
- Multiple electrical entry for application flexibility (high and low voltage).
- Low voltage terminal strip, to safely hold connections within the cabinet.
- Cabinet construction features innovations designed to prevent cabinet sweating.

## Controls and Electrical Features

- Easy plug connection provided for quick installation of accessory heater packages.
- 40VA 208/230v transformer.
- Replaceable 3-amp blade-type auto fuse protects against transformer secondary short.

## Filter Features

- Factory supplied filter.
- Standard sized filter rack fits most common size replacement filters.

## Warranty

- Default 5-year parts limited warranty:
  - 10-year parts limited warranty with timely registration\*.  
Equipment must be registered within 90 days of original installation, except in jurisdictions where warranty benefits cannot be conditioned on registration.
- \* Applies to original purchaser/homeowner and not available to subsequent owners, except in jurisdictions where laws dictate otherwise.

**See Warranty certificate for complete details and restrictions.**

## MODEL NUMBER NOMENCLATURE

	1	2	3	4	5	6	7	8	9	10	11	12
	F	E	5	B	N	B	C	3	6	L	0	0
<b>Product</b> F = Fan Coil							<b>Coil Type</b> L00 = Aluminum					
<b>Type</b> E = Infinity, Variable Speed Constant Airflow (VCA) ECM Motor, multipoise							<b>Capacity</b> 24 = 24,000 36 = 36,000 48 = 48,000 60 = 60,000					
<b>Refrigerant</b> 5 = Puron Advance (R-454B) Refrigerant							<b>Cabinet Width</b> B = 17-5/8"; C = 21-1/8"; D = 24-11/16"					
<b>Series</b>							<b>Cabinet Configuration</b> B = Modular, Hard Shutoff TXV X = Single Piece, Hard Shutoff TXV					
<b>Electrical</b> N = 208/230v, 1 ph-60 Hz												

**Puron**  
ADVANCE™

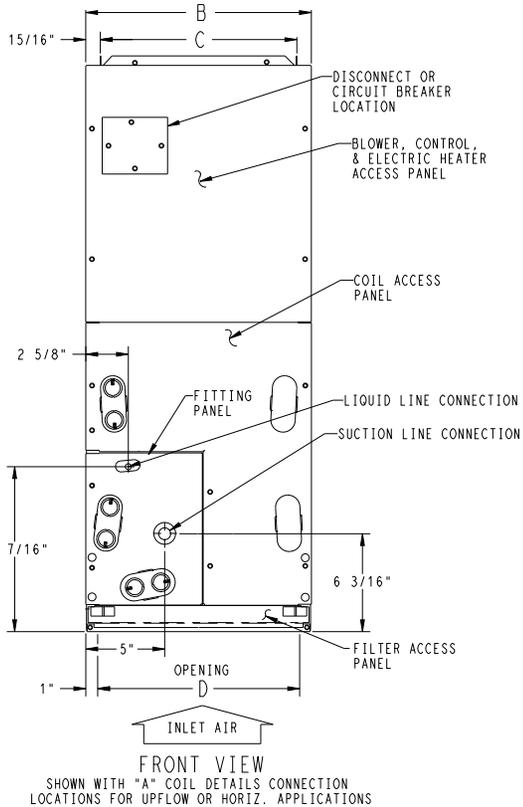
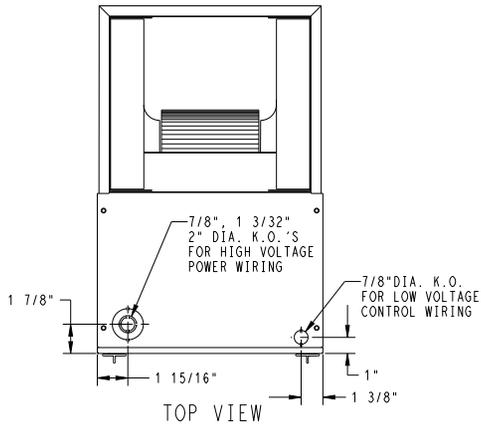


A230445B

Table 1 – Models Available

2 Ton	3 Ton	4 Ton	5 Ton
FE5BNXB24L00	FE5BNXB36L00 FE5BNBB36L00	FE5BNXC48L00 FE5BNBC48L00	FE5BNBD60L00

# DIMENSIONS



UNIT	SERIES	ELECTRICAL CHARACTERISTICS				A	B	C	D	E	F	G	H	J	COIL CONFIGURATION		SHIPPING WT (LBS)
		SLOPE	"A"	SLOPE	"A"												
FE5BNXB24L	A	X	*			42 11/16"	17 5/8"	15 3/4"	15 5/8"	10 3/4"	18 9/16"	18 1/4"	-	-	-	X	124
FE5BNBC36L	A	X	*			53 7/16"	21 1/8"	19 1/4"	19 1/8"	19 3/16"	26 15/16"	27 1/2"	28 5/16"	19"	X	-	146
FE5BNXC36L	A	X	*			53 7/16"	21 1/8"	19 1/4"	19 1/8"	19 3/16"	26 15/16"	27 1/2"	-	19"	X	-	146
FE5BNBC48L	A	X	*			53 7/16"	21 1/8"	19 1/4"	19 1/8"	19 1/2"	27 1/4"	26 15/16"	28 5/16"	-	-	X	168
FE5BNXC48L	A	X	*			53 7/16"	21 1/8"	19 1/4"	19 1/8"	19 1/2"	27 1/4"	26 15/16"	-	-	-	X	168
FE5BNBD60L	A	X	*			59 3/16"	24 11/16"	22 3/4"	22 11/16"	25 1/4"	32 15/16"	32 5/8"	34 1/16"	-	-	X	203

208/230-1-60	
208/230-3-60	

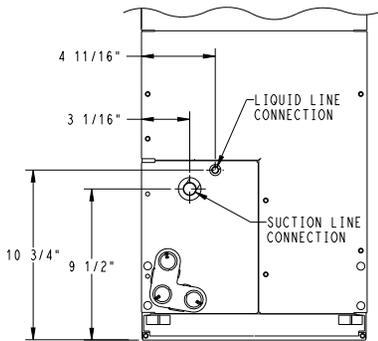
X=YES  
O=NO  
\*=YES, DUE TO AVAILABLE FIELD INSTALLED HEATERS.

- NOTE:
- SERIES DESIGNATION IS THE 14TH POSITION OF UNIT PRODUCT NUMBER.
  - ALL DIMENSIONS ARE IN "INCHES" UNLESS NOTED.

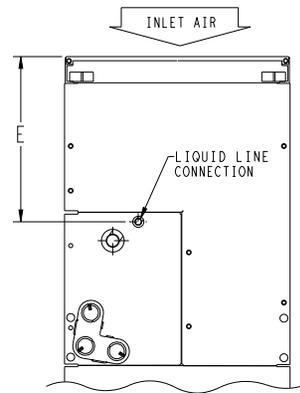
NOTE: ALLOW 21" FROM FRONT FOR SERVICE

### UNIT CONNECTION SIZES

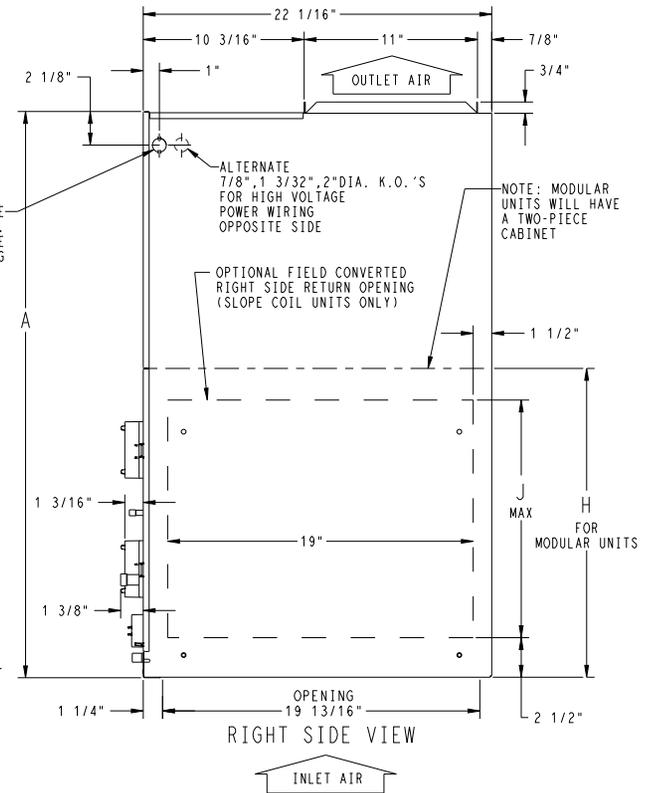
SUCTION: 24 & 36 - 3/4" I.D. SWEAT  
48 & 60 - 7/8" I.D. SWEAT  
LIQUID: 3/8" I.D. SWEAT  
CONDENSATE: 3/4" FPT



SLOPE COIL DETAILS  
CONNECTION LOCATIONS SHOWN FOR UPFLOW OR HORIZ. LEFT APPLICATIONS



ACCESS PANEL CONFIG. FOR SLOPE COILS DOWNFLOW OR HORIZ. RIGHT APPLICATIONS AND "A" COILS DOWNFLOW APPLICATIONS



RIGHT SIDE VIEW

Manufacturer reserves the right to change, at any time, specifications and designs without notice and without obligations.

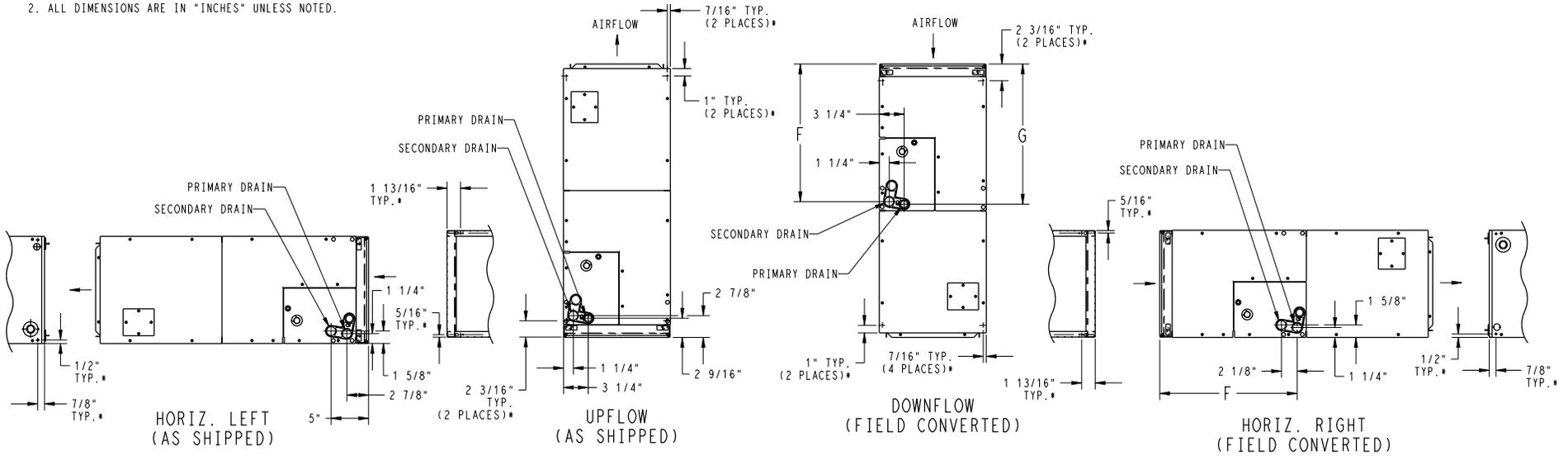
Fig. 1 – FE5B Dimensional Drawing, sheet 1

**DIMENSIONS (cont.)**

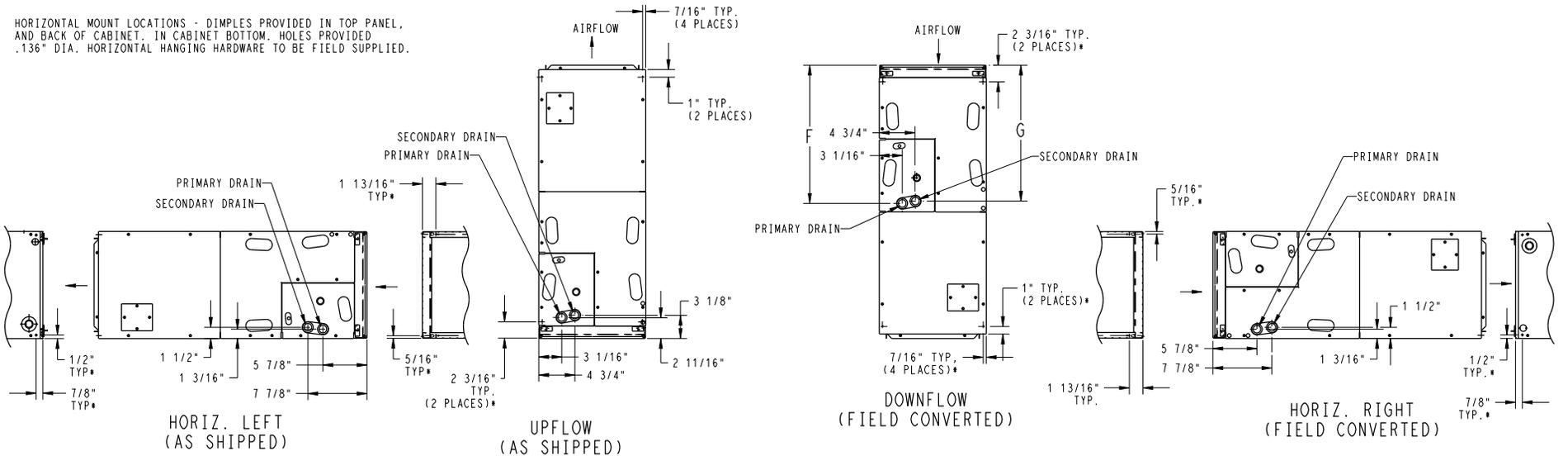
NOTES:

- CONDENSATE PAN DRAIN CAPS NOT SHOWN FOR CLARITY.
- ALL DIMENSIONS ARE IN "INCHES" UNLESS NOTED.

SLOPE COIL



- HORIZONTAL MOUNT LOCATIONS - DIMPLES PROVIDED IN TOP PANEL, AND BACK OF CABINET. IN CABINET BOTTOM, HOLES PROVIDED .136" DIA. HORIZONTAL HANGING HARDWARE TO BE FIELD SUPPLIED.



A-COIL

**Fig. 2 – FE5B Dimensional Drawing, sheet 2**

A240094

Manufacturer reserves the right to change, at any time, specifications and designs without notice and without obligations.

**DIMENSIONS (cont.)**

UNIT	SERIES	ELECTRICAL CHARACTERISTICS				A	B	C	D	E	F	G	H	J	COIL CONFIGURATION		SHIPPING WT (Kgs)
		SLOPE	"A"	SLOPE	"A"												
FE5BNXB24L	A	X	#		1084.3	447.7	400.0	396.9	273.0	471.5	463.6	-	-	-	X	56.3	
FE5BNBC36L	A	X	#		1357.3	536.6	489.0	485.8	487.4	684.2	698.5	719.1	482.6	X	-	66.3	
FE5BNXC36L	A	X	#		1357.3	536.6	489.0	485.8	487.4	684.2	698.5	-	482.6	X	-	66.3	
FE5BNBC48L	A	X	#		1357.3	536.6	489.0	485.8	495.3	692.2	684.2	719.1	-	-	X	76.3	
FE5BNXC48L	A	X	#		1357.3	536.6	489.0	485.8	495.3	692.2	684.2	-	-	-	X	76.3	
FE5BNBD60L	A	X	#		1503.4	627.1	577.8	576.3	641.4	836.6	828.7	865.2	-	-	X	92.2	

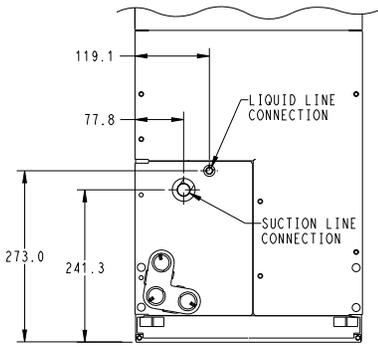
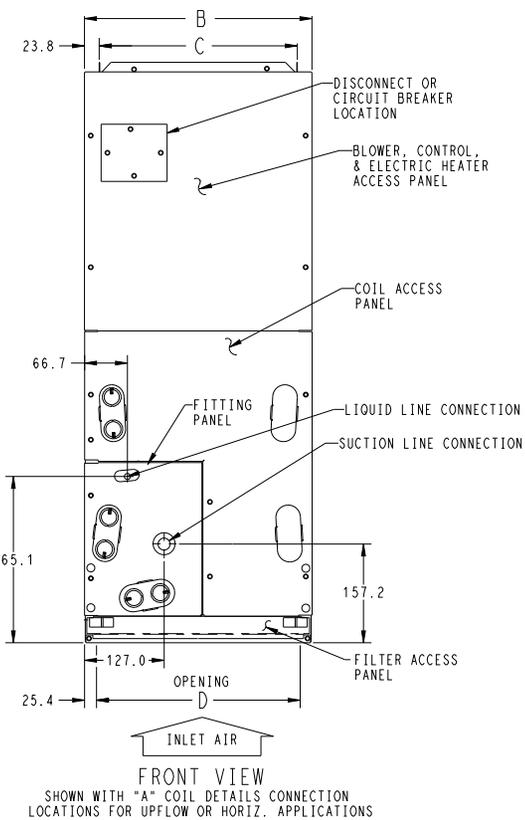
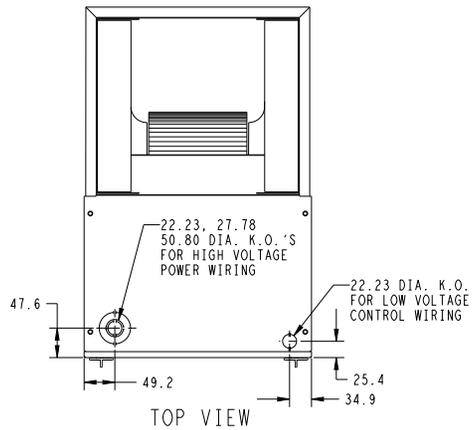
208/230-1-60	
208/230-3-60	

X=YES  
 O=NO  
 #=YES, DUE TO AVAILABLE FIELD INSTALLED HEATERS.

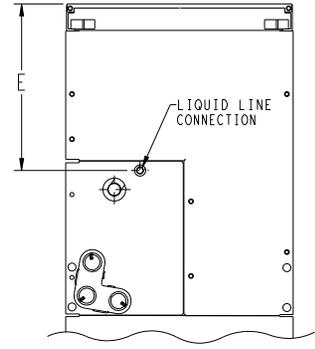
- NOTE:
- SERIES DESIGNATION IS THE 14TH POSITION OF UNIT PRODUCT NUMBER.
  - ALL DIMENSIONS ARE IN "MM" UNLESS NOTED.

**UNIT CONNECTION SIZES**

SUCTION: 24 & 36 - 19.05 I.D. SWEAT  
 48 & 60 - 22.23 I.D. SWEAT  
 LIQUID: 9.53 I.D. SWEAT  
 CONDENSATE: 19.0 FPT

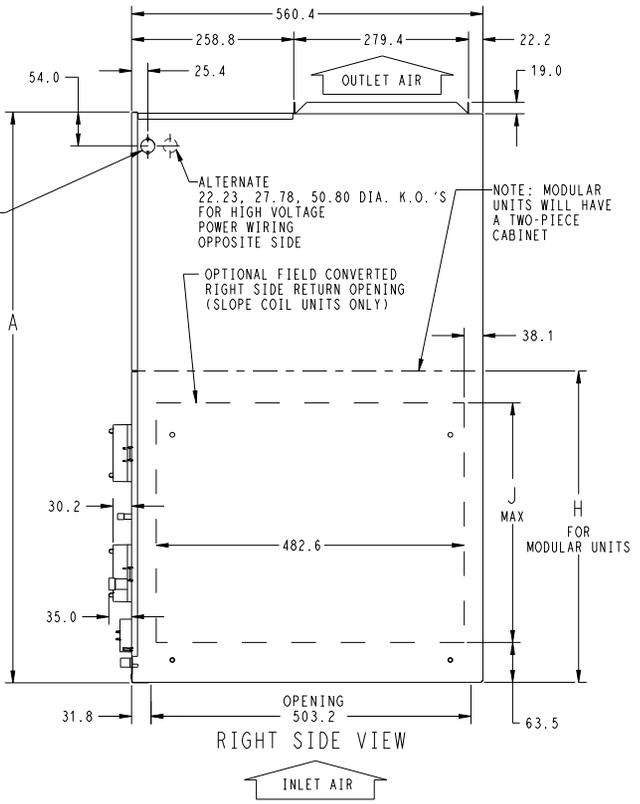


**SLOPE COIL DETAILS**  
 CONNECTION LOCATIONS SHOWN FOR UPFLOW OR HORIZ. LEFT APPLICATIONS



**ACCESS PANEL CONFIG. FOR SLOPE COILS**  
 DOWNFLOW OR HORIZ. RIGHT APPLICATIONS AND "A" COILS DOWNFLOW APPLICATIONS

NOTE: ALLOW 533.4 FROM FRONT FOR SERVICE



**RIGHT SIDE VIEW**

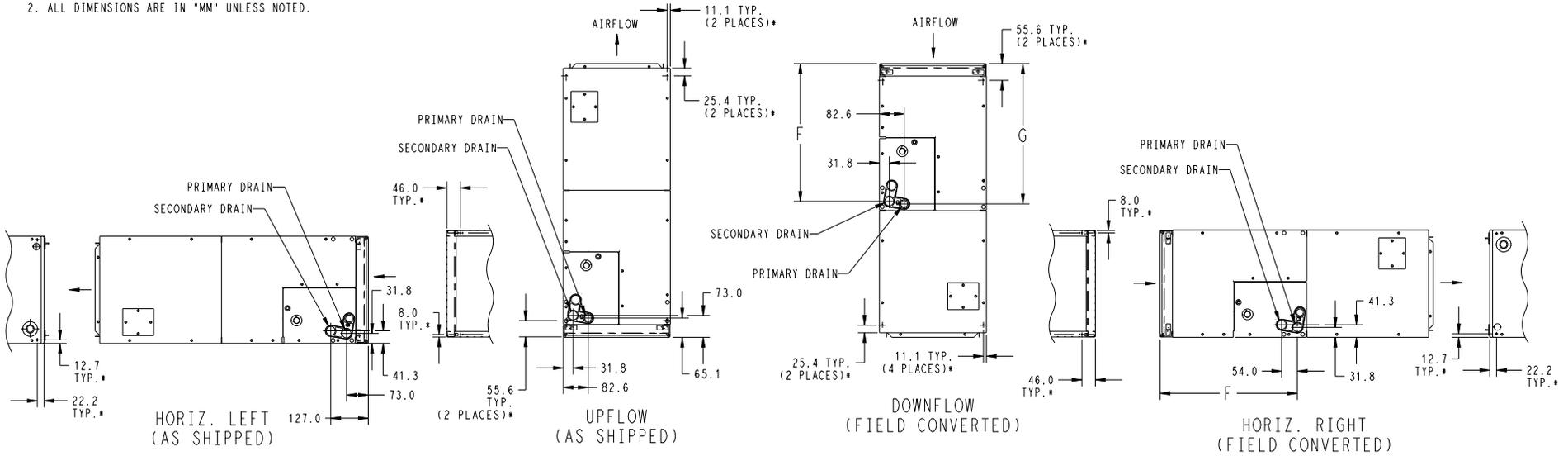
Manufacturer reserves the right to change, at any time, specifications and designs without notice and without obligations.

**Fig. 3 – FE5B Dimensional Drawing, sheet 3**

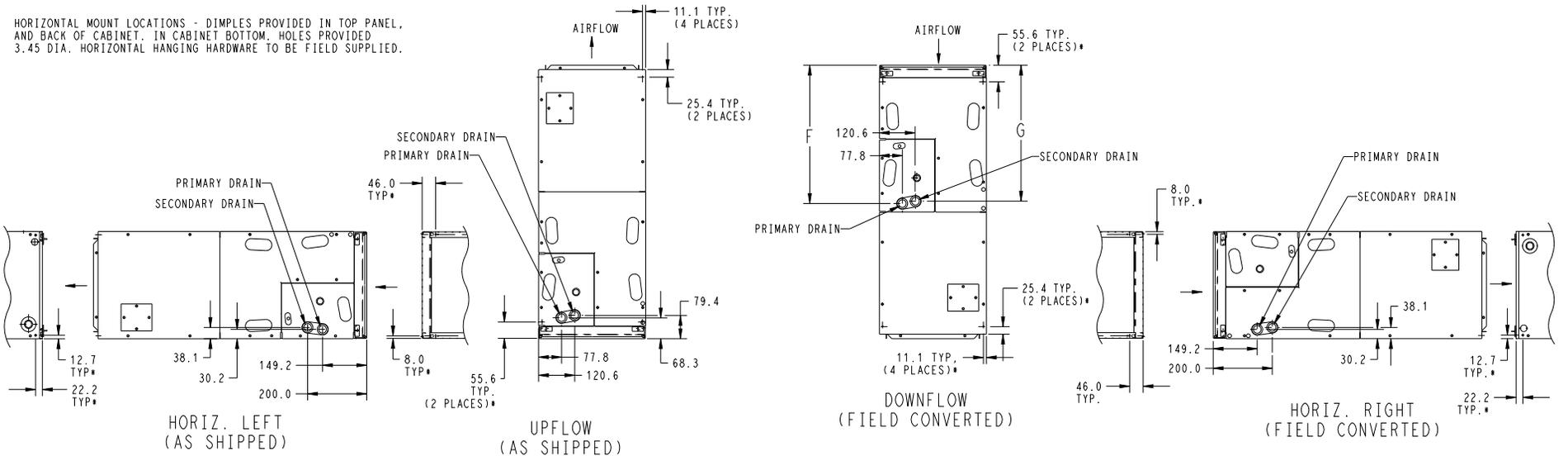
# DIMENSIONS (cont.)

- NOTES:  
 1. CONDENSATE PAN DRAIN CAPS NOT SHOWN FOR CLARITY.  
 2. ALL DIMENSIONS ARE IN "MM" UNLESS NOTED.

## SLOPE COIL



- \* HORIZONTAL MOUNT LOCATIONS - DIMPLES PROVIDED IN TOP PANEL, AND BACK OF CABINET. IN CABINET BOTTOM, HOLES PROVIDED 3.45 DIA. HORIZONTAL HANGING HARDWARE TO BE FIELD SUPPLIED.



## A-COIL

Fig. 4 – FE5B Dimensional Drawing, sheet 4

Manufacturer reserves the right to change, at any time, specifications and designs without notice and without obligations.

Table 2 – Physical Data

SIZE (TON)	FIELD-INSTALLED HEAT (kW)	NOMINAL COOLING CAPACITY (BTUH)	DIMENSIONS (In/mm)			SHIPPING WEIGHT (LBS / KG)
			HEIGHT	WIDTH	DEPTH	
24 (2)	5, 8, 9, 10, 15, 20	18,000 to 36,000	42-11/16 in 1084.3 mm	17-5/8 in 447.7 mm	22-1/16 in 560.4 mm	124 lbs / 56.3 kg
36 (3)	5, 8, 9, 10, 15, 18, 20	24,000 to 42,000	53-7/16 in 1357.3 mm	21-1/8 in 536.6 mm	22-1/16 in 560.4 mm	146 lbs / 66.3 kg
48 (4)	5, 8, 9, 10, 15, 18, 20, 24, 30	30,000 to 48,000	53-7/16 in 1357.3 mm	21-1/8 in 536.6 mm	22-1/16 in 560.4 mm	168 lbs / 76.3 kg
60 (5)	5, 8, 9, 10, 15, 18, 20, 24, 30	36,000 to 60,000	59-3/16 in 1503.4 mm	24-11/16 in 627.1 mm	22-1/16 in 560.4 mm	203 lbs / 92.2 kg

Table 3 – Specifications

Size	24	36	48	60
<b>COIL</b>				
Refrigerant Metering Device	Puron Advance TXV			
TXV Size	2 Ton	3 Ton	4 Ton	5 Ton
Rows/Fins Per In.	3/14.5			
Face Area (Sq. Ft.)	3.46		5.93	7.42
Configuration	A	Slope	A	
<b>BLOWER AND MOTOR</b>				
Air Discharge	Upflow, Downflow, Horizontal			
CFM (Nominal Cooling/Heating)	525	700	875	1050
	700	875	1050	1225
	875	1050	1225	1400
	1050	1225	1400	1750
Motor HP (ECM)	1/2		3/4	
FILTER SIZE (W x L), in (mm)	16 x 20 (406 x 508)	20 x 20 (508 x 508)		24 x 20 (610 x 508)
CABINET CONFIGURATION OPTIONS	1 Piece	1 Piece or Modular		Modular

## PERFORMANCE DATA

### AIRFLOW DELIVERY — COOLING, HEATING, ELECTRIC HEATING MODES

These fan coils will provide airflow at a rate that is requested by the Integrated System User Interface during air conditioning or heat pump heating (without electric heat) modes. The nominal airflow for both heating and cooling modes is 350 cfm/ton nominal size of the outdoor unit installed. The airflow actually requested by the User Interface is modified by its internal algorithms for zoning, comfort or efficiency concerns. Refer to the documentation for the User Interface for more information on how the User Interface controls the fan coil. Safe operation of electric heaters requires airflow delivery at or above the minimum CFM for electric heater application listed in the chart below. The fan coil will adjust its airflow delivery to maintain safe airflow as operating mode and staging conditions require. See [Table 4](#).

**Table 4 – Airflow Delivery (CFM) — Electric Heating Modes**

FAN UNIT SIZE (TON)	OUTDOOR UNIT CAPACITY BTUH	ELECTRIC HEATER kW RANGE											
		0-5			0-10			0-15			0-20		
		Lo	Nom	High	Lo	Nom	High	Lo	Nom	High	Lo	Nom	High
24 (2)	18,000	700	700	805	750	750	863	—	—	—	—	—	—
	24,000	700	700	805	750	750	863	1050	1050	1208	—	—	—
	30,000	875	875	1006	875	875	1006	1050	1050	1208	1200	1200	1380
	36,000	1050	1050	1208	1050	1050	1208	1050	1050	1208	1200	1200	1380
36 (3)	24,000	700	700	805	750	750	863	1050	1050	1208	1225	—	—
	30,000	875	875	1006	875	875	1006	1050	1050	1208	1225	—	—
	36,000	1050	1050	1208	1050	1050	1208	1050	1050	1208	1225	1225	1409
	42,000	1225	1225	1409	1225	1225	1409	1225	1225	1409	1225	1225	1409
FAN UNIT SIZE (TON)	OUTDOOR UNIT CAPACITY BTUH	ELECTRIC HEATER kW RANGE											
		0-10			0-15			0-20			0-30		
		Lo	Nom	High	Lo	Nom	High	Lo	Nom	High	Lo	Nom	High
48 (4)	30,000	1000	1000	1150	1200	1200	1380	—	—	—	—	—	—
	36,000	1100	1100	1265	1200	1200	1380	1300	1300	1495	—	—	—
	42,000	1225	1225	1409	1225	1225	1409	1350	1350	1553	—	—	—
	48,000	1400	1400	1610	1400	1400	1610	1400	1400	1610	1500	1500	1725
60 (5)	36,000	1200	1200	1380	1250	1250	1438	1350	1350	1553	—	—	—
	42,000	1225	1225	1409	1300	1300	1495	1350	1350	1553	—	—	—
	48,000	1400	1400	1610	1400	1400	1610	1400	1400	1610	1750	1750	2013
	60,000	1750	1750	2013	1750	1750	2013	1750	1750	2013	1750	1750	2013

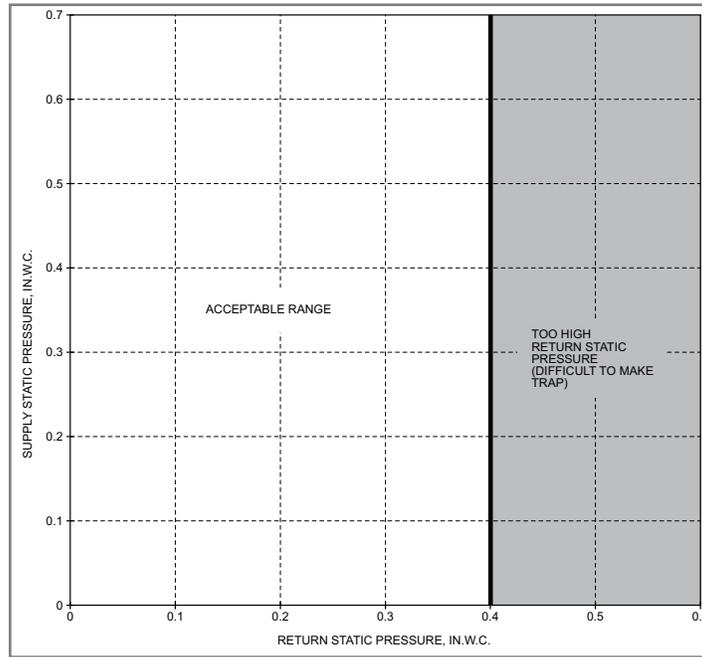
NOTE: Lo, Nom, and Hi refer to AC, HP, CFM ADJUST Section  
 “ — ” Airflow not recommended for heater/system size.

**Table 5 – Minimum CFM for Electric Heater Application\***

FAN COIL UNIT SIZE (TON)	HEAT PUMP UNIT SIZE (TON)	CFM				
		HEATER SIZE kW				
		5	8, 9, 10	12, 15	18, 20	24, 30
24 (2)	<b>Emergency</b>	700	750	1050	1200	—
	<b>18 (1½)</b>	700	750	1050	1200	—
	<b>24 (2)</b>	700	750	1050	1200	—
	<b>30 (2½)</b>	875	875	1050	1200	—
	<b>36 (3)</b>	1050	1050	1050	1200	—
36 (3)	<b>Emergency</b>	700	750	1050	1225	—
	<b>24 (2)</b>	700	750	1050	1225	—
	<b>30 (2½)</b>	875	875	1050	1225	—
	<b>36 (3)</b>	1050	1050	1050	1225	—
	<b>42 (3½)</b>	1225	1225	1225	1225	—
48 (4)	<b>Emergency</b>	1000	1000	1200	1300	1450
	<b>30 (2½)</b>	1000	1000	1200	1300	1450
	<b>36 (3)</b>	1100	1100	1200	1300	1450
	<b>42 (3½)</b>	1225	1225	1225	1350	1450
	<b>48 (4)</b>	1400	1400	1400	1400	1450
60 (5)	<b>Emergency</b>	1200	1200	1300	1350	1750
	<b>36 (3)</b>	1200	1200	1250	1350	1750
	<b>42 (3½)</b>	1225	1225	1300	1350	1750
	<b>48 (4)</b>	1400	1400	1400	1400	1750
	<b>60 (5)</b>	1750	1750	1750	1750	1750

\*. These airflows are minimum acceptable airflows as UL listed. Actual airflow delivered will be per airflow delivery chart for Electric Heating Modes.

## ACCEPTABLE DUCT CONDITIONS



A02296

### Acceptable Duct Conditions

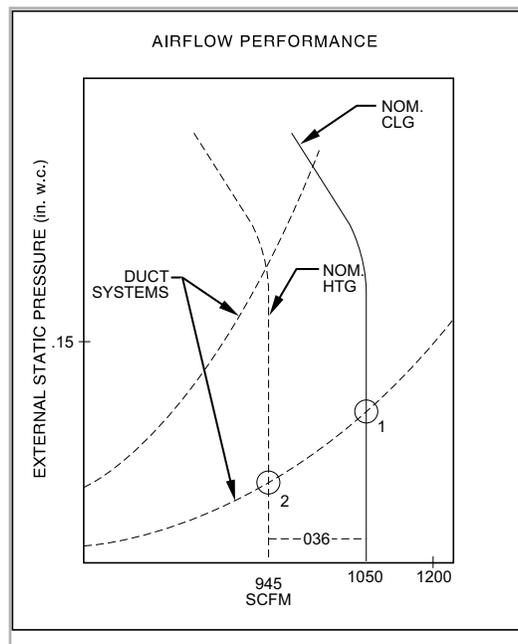
For satisfactory operation (specifically making dry secondary trap), subject fan coils must be installed with duct systems which fall within the “Acceptable Range” illustrated above.

The airflow performance charts for the fan coil depict nominal airflow delivery for heating and cooling mode operation versus duct system static pressure drop. Cooling mode operation is shown as solid vertical lines for all 4 system size selections. Heating mode operation for the 4 system size selections are shown as dashed vertical lines.

The dotted curved lines are static pressure drop characteristics for several fixed-duct systems. These lines can be used to predict the system static pressure drop at any airflow given the actual drop at 1 known point.

For example, a duct system is designed for 0.15 in. water column (in. w.c.) drop at 1200 CFM. The 5-ton unit operating at nominal cooling airflow would deliver 1050 CFM with a duct system drop of 0.11 in. w.c. (See point 1 in the Airflow Performance/Static Pressure figure below.) On the same duct system, the 5-ton unit operating at nominal heating airflow would deliver 945 CFM with a duct system drop of 0.09 in. w.c. (See point 2.)

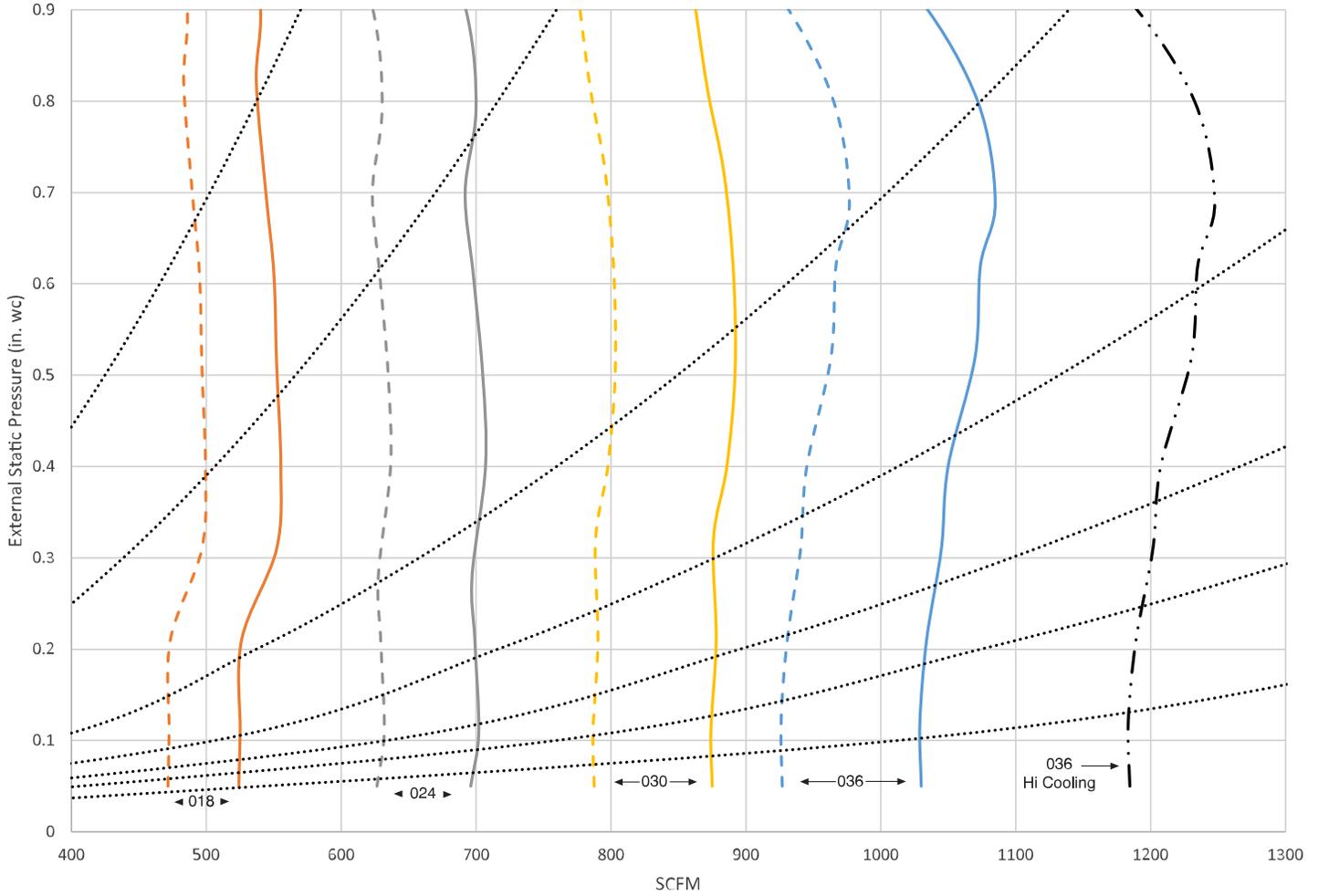
This example is but one of many possible duct system designs. The 5-ton unit will deliver the above airflows against much higher static pressures. The following airflow performance data was measured using the standard metal filter as shipped from the factory.



A09339

# PERFORMANCE DATA (cont)

Airflow Performance, 24 size



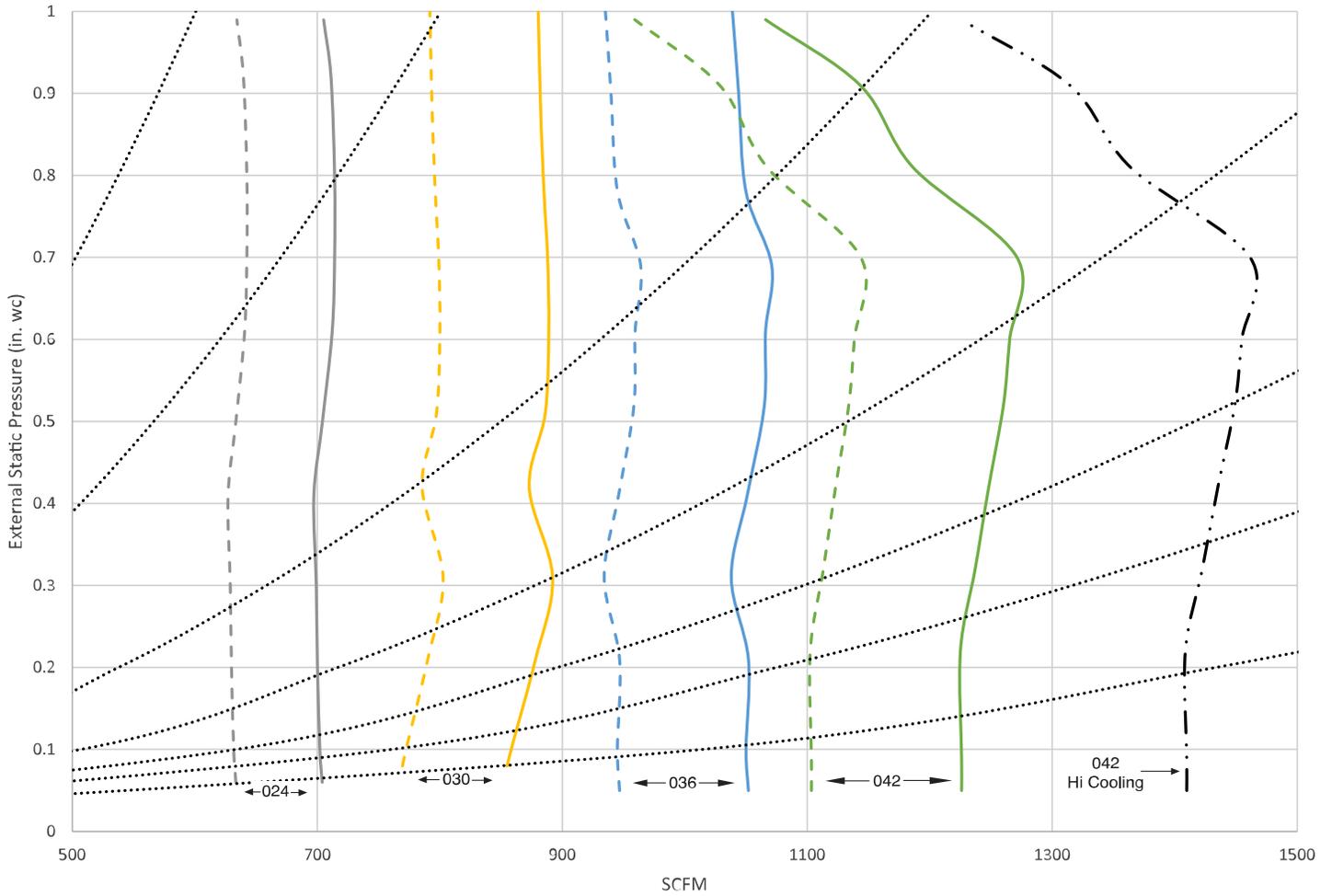
A230434

## 2 Ton

- Nominal Cooling and Heat Pump Efficiency airflow for each size selection. Airflow can be adjusted +15% to -10%.
- - - Nominal Heat Pump Comfort airflow for each size selection. Airflow can be adjusted +15% to -10%.
- · - · Maximum cooling airflow for largest size selection. Adjusted +15% from nominal.
- · · · Fixed Duct Systems (See description under Acceptable Duct Conditions.)

## PERFORMANCE DATA (cont)

### Airflow Performance, 36 size

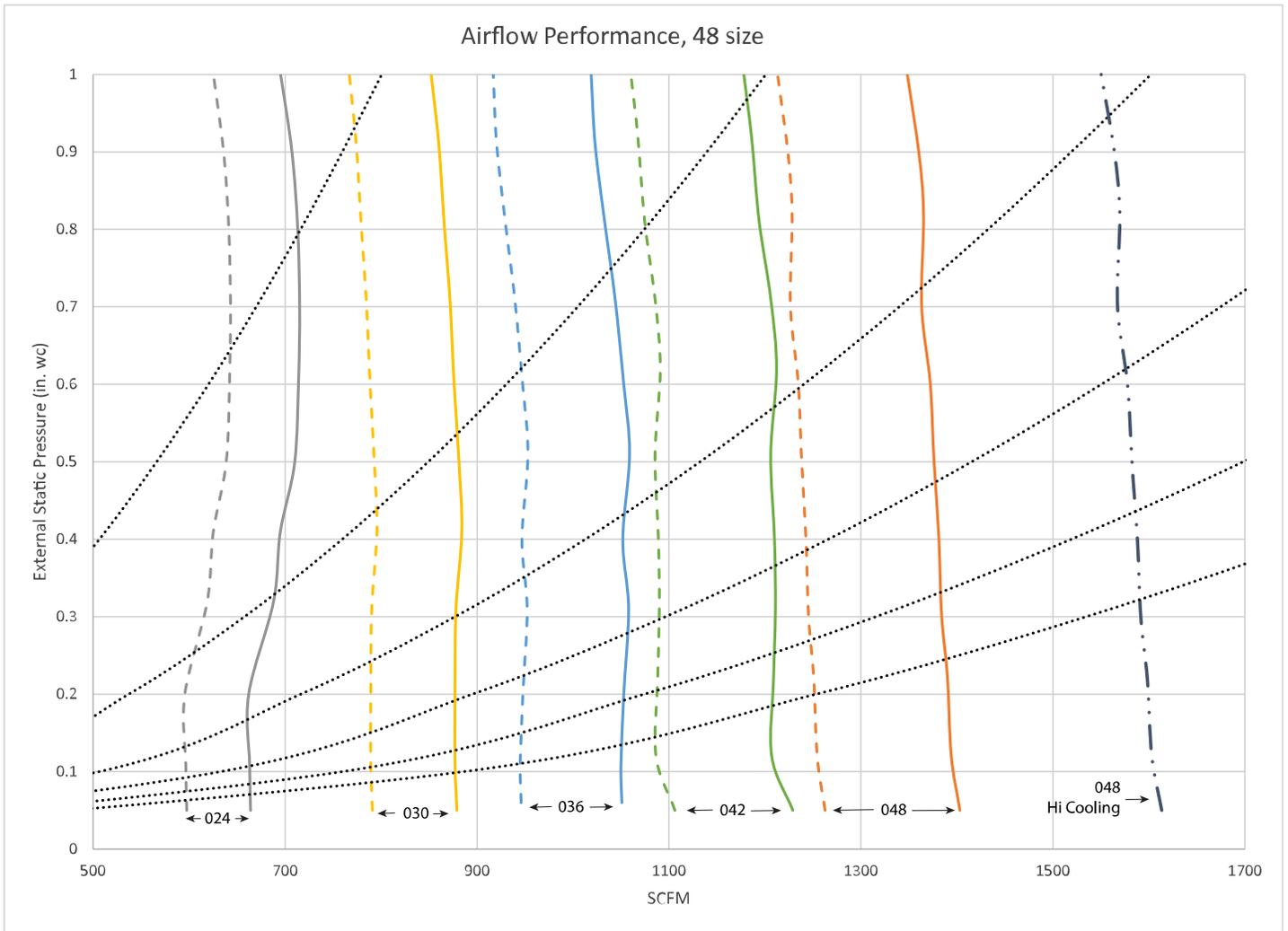


A230435

### 3 Ton

- Nominal Cooling and Heat Pump Efficiency airflow for each size selection. Airflow can be adjusted +15% to -10%.
- - - Nominal Heat Pump Comfort airflow for each size selection. Airflow can be adjusted +15% to -10%.
- · - · Maximum cooling airflow for largest size selection. Adjusted +15% from nominal.
- · · · Fixed Duct Systems (See description under Acceptable Duct Conditions.)

## PERFORMANCE DATA (cont)

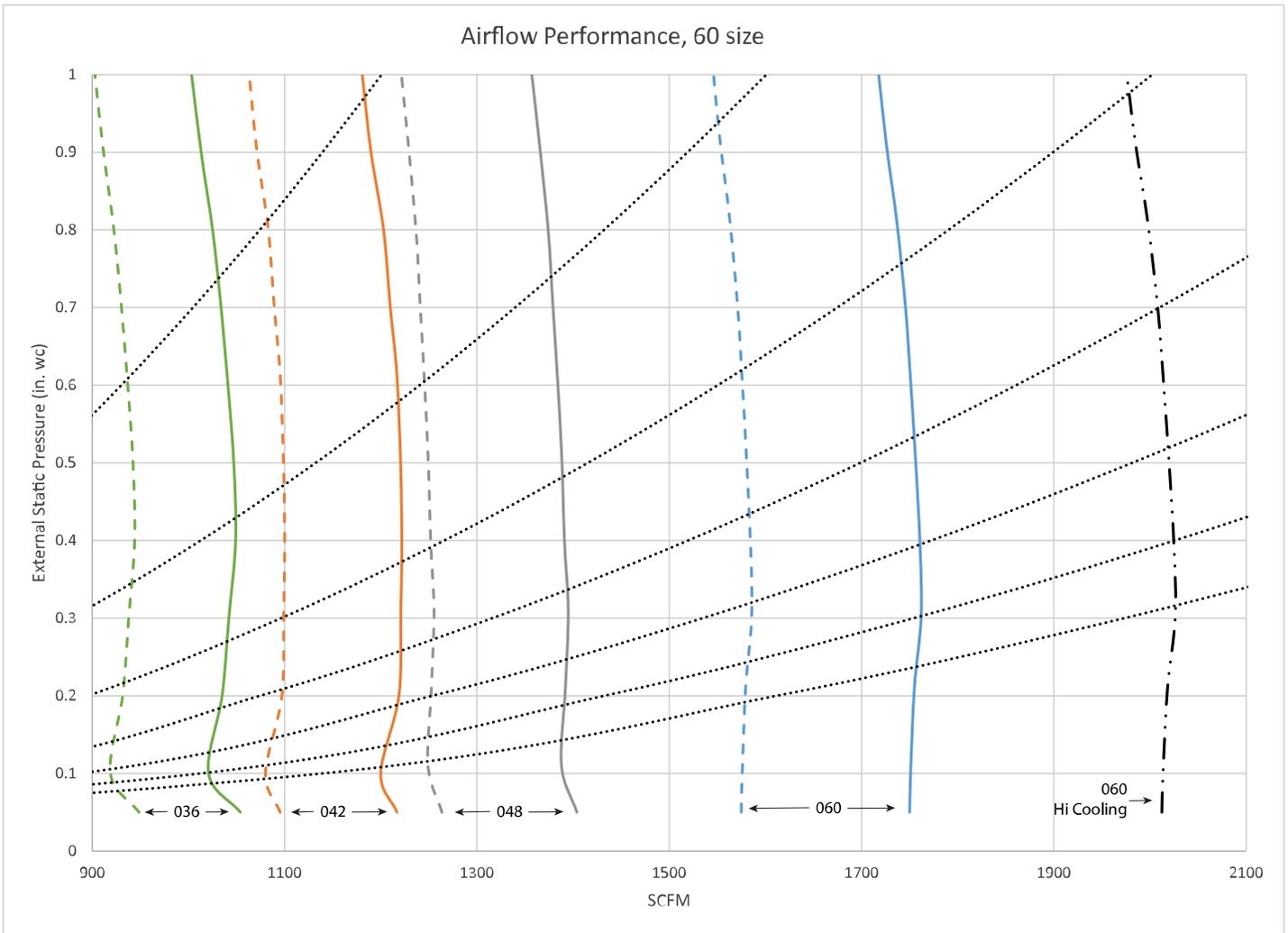


A230436

### 4 Ton

- Nominal Cooling and Heat Pump Efficiency airflow for each size selection. Airflow can be adjusted +15% to -10%.
- - - Nominal Heat Pump Comfort airflow for each size selection. Airflow can be adjusted +15% to -10%.
- · · Maximum cooling airflow for largest size selection. Adjusted +15% from nominal.
- · · · Fixed Duct Systems (See description under Acceptable Duct Conditions.)

## PERFORMANCE DATA (cont)



A230437

### 5 Ton

- Nominal Cooling and Heat Pump Efficiency airflow for each size selection. Airflow can be adjusted +15% to -10%.
- - - Nominal Heat Pump Comfort airflow for each size selection. Airflow can be adjusted +15% to -10%.
- · · · Maximum cooling airflow for largest size selection. Adjusted +15% from nominal.
- · · · Fixed Duct Systems (See description under Acceptable Duct Conditions.)

**Table 6 – Cooling Capacities (MBtuh)**

INDOOR COIL AIR		SATURATED TEMPERATURE LEAVING EVAPORATOR (deg F)														
		35			40			45			50			55		
CFM	EWB	TC	SHC	BF	TC	SHC	BF	TC	SHC	BF	TC	SHC	BF	TC	SHC	BF
<b>SIZE 24</b>																
525	72	37.50	19.04	0.00	33.96	17.17	0.00	29.95	15.18	0.00	25.35	13.07	0.00	20.11	10.83	0.00
	67	30.71	19.50	0.00	27.01	17.49	0.00	22.82	15.38	0.00	18.08	13.17	0.00	12.92	10.93	0.00
	62	24.45	19.79	0.00	20.62	17.68	0.00	16.51	15.56	0.01	12.74	12.74	0.05	10.53	10.53	0.21
700	72	46.28	23.46	0.00	42.01	21.31	0.00	37.11	18.99	0.00	31.54	16.50	0.00	25.10	13.80	0.01
	67	38.08	24.46	0.01	33.62	22.14	0.01	28.52	19.62	0.01	22.62	16.92	0.01	16.16	14.14	0.01
	62	30.57	25.26	0.01	25.94	22.75	0.01	20.81	20.13	0.02	16.58	16.58	0.08	13.73	13.73	0.23
875	72	53.42	27.14	0.00	48.58	24.80	0.00	42.99	22.24	0.00	36.57	19.46	0.00	29.26	16.44	0.01
	67	44.14	28.75	0.02	39.07	26.18	0.02	33.23	23.40	0.01	26.53	20.34	0.02	19.00	17.14	0.02
	62	35.64	30.11	0.02	30.44	27.37	0.02	24.72	24.45	0.03	20.16	20.16	0.11	16.72	16.72	0.26
1050	72	59.25	30.25	0.00	54.00	27.79	0.01	47.91	25.05	0.02	40.85	22.05	0.02	32.69	18.77	0.02
	67	49.16	32.52	0.02	43.60	29.78	0.03	37.18	26.76	0.03	29.81	23.50	0.03	21.58	19.97	0.04
	62	39.88	34.49	0.03	34.24	31.56	0.03	28.13	28.41	0.04	23.44	23.44	0.14	19.43	19.43	0.28
1225	72	64.10	32.93	0.02	58.53	30.39	0.02	52.02	27.54	0.03	44.44	24.38	0.03	35.61	20.89	0.03
	67	53.37	35.88	0.04	47.43	33.02	0.04	40.52	29.84	0.04	32.58	26.37	0.04	23.87	22.63	0.05
	62	43.50	38.51	0.04	37.52	35.42	0.04	31.22	32.09	0.06	26.46	26.46	0.17	21.98	21.98	0.31
<b>SIZE 36</b>																
700	72	46.73	23.71	0.00	42.21	21.42	0.00	37.03	18.95	0.00	31.12	16.32	0.00	24.47	13.58	0.00
	67	38.23	24.55	0.01	33.46	22.07	0.00	28.13	19.46	0.00	22.20	16.73	0.01	15.77	13.96	0.01
	62	30.47	25.19	0.01	25.73	22.64	0.01	20.64	20.02	0.02	16.45	16.45	0.08	13.57	13.57	0.24
875	72	54.14	27.50	0.00	49.01	25.01	0.00	43.08	22.29	0.00	36.32	19.31	0.01	28.48	16.14	0.01
	67	44.54	28.96	0.01	39.13	26.21	0.02	32.90	23.21	0.02	25.90	20.10	0.01	18.55	16.94	0.02
	62	35.68	30.12	0.02	30.20	27.22	0.02	24.46	24.28	0.03	20.00	20.00	0.11	16.52	16.52	0.26
1050	72	60.23	30.73	0.00	54.65	28.07	0.02	48.16	25.17	0.01	40.65	21.97	0.02	31.96	18.47	0.02
	67	49.80	32.84	0.02	43.85	29.89	0.03	36.97	26.66	0.03	29.12	23.18	0.03	21.00	19.69	0.04
	62	40.12	34.60	0.03	34.09	31.45	0.03	27.83	28.19	0.04	23.19	23.19	0.14	19.17	19.17	0.29
1225	72	65.33	33.52	0.01	59.35	30.77	0.02	52.41	27.71	0.03	44.36	24.34	0.03	34.94	20.62	0.03
	67	54.19	36.28	0.04	47.86	33.21	0.04	40.43	29.78	0.04	31.95	26.07	0.04	23.18	22.28	0.05
	62	43.93	38.70	0.04	37.54	35.38	0.04	30.91	31.83	0.06	26.14	26.14	0.17	21.63	21.63	0.31
1400	72	69.64	35.98	0.03	63.37	33.15	0.04	56.04	29.99	0.04	47.51	26.47	0.04	37.51	22.57	0.04
	67	57.94	39.40	0.05	51.25	36.22	0.05	43.43	32.67	0.05	34.46	28.78	0.05	25.18	24.72	0.07
	62	47.26	42.51	0.05	40.58	39.04	0.06	33.84	35.26	0.08	28.85	28.85	0.20	23.92	23.91	0.34
<b>SIZE 48</b>																
875	72	55.50	29.11	0.00	50.59	26.54	0.00	44.88	23.71	0.00	38.24	20.63	0.00	30.68	17.36	0.00
	67	45.72	30.33	0.00	40.45	27.50	0.00	34.52	24.46	0.00	27.67	21.20	0.00	19.98	17.78	0.00
	62	36.75	31.31	0.00	31.36	28.31	0.00	25.38	25.13	0.01	20.06	20.06	0.06	16.66	16.66	0.22
1050	72	62.61	32.86	0.00	57.23	30.14	0.00	50.90	27.09	0.00	43.49	23.73	0.00	34.84	20.06	0.00
	67	51.82	34.75	0.00	45.98	31.70	0.00	39.25	28.31	0.00	31.53	24.69	0.01	22.90	20.87	0.01
	62	41.81	36.27	0.01	35.78	32.96	0.01	29.15	29.47	0.01	23.60	23.60	0.08	19.62	19.62	0.24
1225	72	68.60	36.10	0.00	62.85	33.28	0.00	56.08	30.11	0.00	48.02	26.55	0.00	38.54	22.55	0.00
	67	57.05	38.72	0.01	50.81	35.50	0.01	43.41	31.92	0.00	34.94	27.95	0.01	25.54	23.82	0.01
	62	46.23	40.86	0.01	39.68	37.32	0.01	32.60	33.60	0.02	26.95	26.95	0.10	22.46	22.46	0.25

**Table 6 – Cooling Capacities (MBtuh)**

SIZE 48 (cont.)																
1400	72	73.71	38.97	0.00	67.64	36.08	0.00	60.51	32.80	0.00	52.06	29.07	0.01	41.85	24.88	0.01
	67	61.55	42.32	0.01	54.96	38.99	0.01	47.17	35.23	0.01	37.95	31.04	0.01	27.97	26.64	0.02
	62	50.14	45.16	0.02	43.27	41.48	0.02	35.80	37.53	0.03	30.14	30.14	0.12	25.15	25.15	0.27
1600	72	78.67	41.89	0.00	72.30	38.96	0.00	64.83	35.58	0.01	55.92	31.76	0.01	45.16	27.34	0.02
	67	65.91	46.06	0.02	59.04	42.67	0.02	50.80	38.77	0.02	41.09	34.39	0.02	30.45	29.70	0.03
	62	54.03	49.74	0.02	46.89	45.95	0.03	39.16	41.76	0.04	33.49	33.49	0.15	28.02	28.02	0.29
1750	72	81.90	43.87	0.01	75.39	40.88	0.01	67.68	37.48	0.02	58.47	33.58	0.02	47.34	29.06	0.02
	67	68.76	48.66	0.02	61.68	45.22	0.02	53.22	41.25	0.02	43.19	36.78	0.02	32.18	31.88	0.04
	62	56.62	52.98	0.03	49.32	49.11	0.03	41.57	41.19	0.05	35.82	35.82	0.17	30.02	30.02	0.30
SIZE 60																
1050	72	79.55	38.39	0.00	72.99	35.30	0.00	65.21	31.82	0.00	56.07	27.96	0.00	45.28	23.69	0.00
	67	65.98	40.54	0.00	58.84	37.05	0.00	50.47	33.18	0.00	40.84	28.98	0.00	29.88	24.50	0.00
	62	53.30	42.23	0.00	45.80	38.43	0.00	37.36	34.36	0.01	29.92	29.92	0.07	24.95	24.95	0.22
1225	72	87.50	42.31	0.00	80.43	39.08	0.00	72.12	35.46	0.00	62.20	31.35	0.00	50.39	26.76	0.00
	67	72.90	45.29	0.00	65.20	41.61	0.00	56.12	37.49	0.00	45.43	32.88	0.00	33.42	28.01	0.01
	62	59.18	47.71	0.01	50.98	43.61	0.01	41.86	39.23	0.01	34.26	34.26	0.08	28.63	28.63	0.23
1400	72	94.29	45.76	0.00	86.84	42.45	0.00	78.04	38.71	0.00	67.56	34.46	0.00	54.92	29.60	0.00
	67	78.85	49.60	0.01	70.71	45.82	0.00	61.08	41.50	0.01	49.58	36.61	0.01	36.65	31.38	0.01
	62	64.33	52.82	0.01	55.68	48.55	0.01	45.98	43.88	0.02	38.38	38.38	0.10	32.14	32.14	0.25
1600	72	100.91	49.28	0.00	93.10	45.91	0.00	83.86	42.08	0.00	72.84	37.68	0.00	59.46	32.60	0.01
	67	84.67	54.09	0.01	76.18	50.22	0.01	66.02	45.76	0.01	53.86	40.66	0.01	40.02	35.07	0.02
	62	69.49	58.29	0.01	60.49	53.89	0.01	50.41	49.00	0.02	42.85	42.85	0.13	35.97	35.97	0.26
1750	72	105.21	51.67	0.00	97.24	48.25	0.01	87.70	44.38	0.01	76.28	39.90	0.01	62.50	34.70	0.01
	67	88.49	57.22	0.01	79.74	53.27	0.01	69.29	48.78	0.01	56.75	43.55	0.01	42.37	37.74	0.02
	62	72.94	62.18	0.02	63.73	57.71	0.02	53.59	52.69	0.03	46.02	46.02	0.14	38.71	38.71	0.28
2000	72	111.40	55.29	0.01	103.09	51.86	0.01	93.23	47.91	0.01	81.31	43.32	0.01	66.94	38.00	0.01
	67	93.99	62.07	0.02	84.88	58.05	0.02	74.05	53.44	0.02	61.00	48.09	0.02	46.00	41.99	0.03
	62	77.95	68.26	0.02	68.57	63.72	0.03	58.99	58.28	0.06	51.02	51.02	0.17	42.96	42.96	0.30

CFM - Cubic Ft per Minute      EWB - Entering Wet Bulb (°F / °C)      LWB - Leaving Wet Bulb (°F / °C)      TC - Gross Cooling Capacity 1000 Btuh  
 SHC - Gross Sensible Capacity 1000 Btuh      BF - Bypass Factor      MBH - 1000 Btuh

**NOTES:**

- Contact manufacturer for cooling capacities at conditions other than shown in table.
- Formulas:  
 Leaving db = entering db -  $\frac{\text{sensible heat cap.}}{1.09 \times \text{CFM}}$   
 Leaving wb = wb corresponding to enthalpy of air leaving coil (h<sub>lwb</sub>)  
 $h_{lwb} = h_{ewb} - \frac{\text{total capacity (Btuh)}}{4.5 \times \text{CFM}}$   
 where h<sub>ewb</sub> = enthalpy of air entering coil. Direct interpolation is permissible. Do not extrapolate.
- SHC is based on 80°F (27°C) db temperature of air entering coil. Below 80°F (27°C) db, subtract (Correction Factor x CFM) from SHC. Above 80°F (27°C) db, add (Correction Factor x CFM) to SHC.
- Bypass Factor = 0 indicates no psychometric solution. Use bypass factor of next lower EWB for approximation.

**SHC CORRECTION FACTOR**

BYPASS FACTOR	ENTERING AIR DRY-BULB TEMPERATURE (°F)					
	79	78	77	76	75	Under 75
	81	82	83	84	85	Over 85
<b>Correction Factor</b>						
0.10	.098	1.96	2.94	3.92	4.91	Use formula shown below
0.20	0.87	1.74	2.62	3.49	4.36	
0.30	0.76	1.53	2.29	3.05	3.82	

Interpolation is permissible.  
 Correction Factor = 1.09 x (1 - BF) x (db - 80)

**PERFORMANCE DATA (cont.)**

**Table 7 – Estimated Sound Power Level of Airflow from Duct (dB)**

UNIT SIZE	CONDITIONS		OCTAVE BAND CENTER FREQUENCY*						
	CFM	Ext Static Pressure	63	125	250	500	1000	2000	4000
24	400	0.50	69.0	65.0	61.0	58.0	56.0	54.0	50.0
	600	0.50	70.8	66.8	62.8	59.8	57.8	55.8	51.8
	800	0.50	72.0	68.0	64.0	61.0	59.0	57.0	53.0
	1000	0.50	73.0	69.0	65.0	62.0	60.0	58.0	54.0
	1200	0.50	73.8	69.8	65.8	62.8	60.8	58.8	54.8
	1400	0.50	74.4	70.4	66.4	63.4	61.4	59.4	55.4
36	400	0.50	69.0	65.0	61.0	58.0	56.0	54.0	50.0
	600	0.50	70.8	66.8	62.8	59.8	57.8	55.8	51.8
	800	0.50	72.0	68.0	64.0	61.0	59.0	57.0	53.0
	1000	0.50	73.0	69.0	65.0	62.0	60.0	58.0	54.0
	1200	0.50	73.8	69.8	65.8	62.8	60.8	58.8	54.8
	1400	0.50	74.4	70.4	66.4	63.4	61.4	59.4	55.4
	1600	0.50	75.0	71.0	67.0	64.0	62.0	60.0	56.0
48	400	0.50	69.0	65.0	61.0	58.0	56.0	54.0	50.0
	600	0.50	70.8	66.8	62.8	59.8	57.8	55.8	51.8
	800	0.50	72.0	68.0	64.0	61.0	59.0	57.0	53.0
	1000	0.50	73.0	69.0	65.0	62.0	60.0	58.0	54.0
	1200	0.50	73.8	69.8	65.8	62.8	60.8	58.8	54.8
	1400	0.50	74.4	70.4	66.4	63.4	61.4	59.4	55.4
	1600	0.50	75.0	71.0	67.0	64.0	62.0	60.0	56.0
60	600	0.50	70.8	66.8	62.8	59.8	57.8	55.8	51.8
	800	0.50	72.0	68.0	64.0	61.0	59.0	57.0	53.0
	1000	0.50	73.0	69.0	65.0	62.0	60.0	58.0	54.0
	1200	0.50	73.8	69.8	65.8	62.8	60.8	58.8	54.8
	1400	0.50	74.4	70.4	66.4	63.4	61.4	59.4	55.4
	1600	0.50	75.0	71.0	67.0	64.0	62.0	60.0	56.0
	1800	0.50	75.5	71.5	67.5	64.5	62.5	60.5	56.5
	2000	0.50	76.0	72.0	68.0	65.0	63.0	61.0	57.0
	2150	0.50	76.3	72.3	68.3	65.3	63.3	61.3	57.3

\*. Estimated sound power levels have been derived using the method described in the 1987 ASHRAE HVAC Systems & Applications Handbook, Chapter 52, p. 52.7.

**Table 8 – Air Delivery Performance Correction Component Pressure Drop (in. wc) at Indicated Airflow (Dry to Wet Coil)**

UNIT SIZE	CFM										
	600	700	800	900	1000	1100	1200	1300	1400	1500	1600
24	0.012	0.016	0.022	0.028	0.034	0.040	0.049	—	—	—	—
36	—	0.026	0.034	0.042	0.052	0.063	0.075	0.083	0.091	0.098	0.110
48	—	0.006	0.008	0.010	0.012	0.015	0.017	0.020	0.023	0.027	0.030
60	CFM										
	1100	1200	1300	1400	1500	1600	1700	1800	1900	2000	2100
60	0.013	0.016	0.018	0.020	0.023	0.027	0.030	0.034	0.039	0.044	0.048

**Table 9 – Factory-Installed Filter Static Pressure Drop (in wc)**

Size	CFM								
	400	600	800	1000	1200	1400	1600	1800	2000
24	0.020	0.044	0.048	0.072	0.100	—	—	—	—
36	—	0.020	0.035	0.051	0.070	0.092	—	—	—
48	—	—	0.035	0.051	0.070	0.092	0.120	—	—
60	—	—	—	0.038	0.053	0.070	0.086	0.105	0.133

**Table 10 – Units Without Electric Heat**

UNIT SIZE	VOLTS/PH/HZ	MTR HP	MTR FLA	SINGLE CIRCUIT		BRANCH CIRCUIT
				MCA	MOCP	Min Wire Size Awg*
24	208/230/1/60	1/2	4	5	15	14
36	208/230/1/60	1/2	4	5	15	14
48	208/230/1/60	3/4	5.7	7.1	15	14
60	208/230/1/60	3/4	5.7	7.1	15	14

\* Use copper wire only to connect unit. If other than uncoated (non-plated) 75°C ambient, copper wire (solid wire for 10 AWG and smaller, stranded wire for larger than 10 AWG) is used consult applicable tables of the National Electric Code (ANSI/NFPA 70).

NOTE: If branch circuit wire length exceeds 100 ft / 30.5 m, consult NEC 210-19a to determine maximum wire length. Use 2% voltage drop.

FLA - Full Load Amps

**Table 11 – Electrical Data for Units with Factory-Installed Heat**

HEATER PART NO.	kW @ 240 V	VOLTS/PH	STAGES (kW OPERATING)	INTERNAL CIRCUIT PROTECTION	USED WITH OUTDOOR UNIT SIZE	HEATING CAP.‡ @ 230V	INTELLIGENT HEAT CAPABLE* (kW)
KFFE0501N05	5	230/1	5	None	All	15,700	-
KFFE0801N08	8	230/1	8	None	All	25,100	-
KFFE0901N10	10	230/1	10	None	All	31,400	-
KFFE3001F15	15	230/1	5, 15	Fuse†	All	47,100	5, 10, 15
KFFE3201F20	20	230/1	5, 20	Fuse†	30 thru 60	62,800	5, 15, 20
KFFE2901N09	9	230/1‡	3, 9	None	36 thru 60	28,200	3, 6, 9
KFFE1601315	15	230/3	5, 15	None	36 thru 60	47,100	-
KFFE2001318	18	230/3	6, 12, 18	None	42 thru 60	56,500	-
KFFE3401F24	24	230/1**	8, 16, 24	Fuse	48, 60	78,300	8, 16, 24
KFFE3501F30	30	230/1**	10, 20, 30	Fuse	48, 60	94,100	10, 20, 30
KFFE2401C05	5	230/1	5	Circuit Breaker	All	15,700	-
KFFE2501C08	8	230/1	8	Circuit Breaker	All	25,100	-
KFFE2601C10	10	230/1	10	Circuit Breaker	All	31,400	-
KFFE3101C15	15	230/1	5, 15	Circuit Breaker	All	47,100	5, 10, 15
KFFE3301C20	20	230/1	5, 20	Circuit Breaker	30 thru 60	62,800	5, 15, 20

\*. Heaters designed with kW operating values are intelligent heat capable when used with compatible thermostat.

†. Single circuit application of F15 and F20 heaters requires Single-point wiring kit accessory.

‡. Field convertible to 3 phase.

\*\* . These heaters are field convertible to 1 phase, single or multiple supply circuit.

NOTE: for 240 volts, multiply 230V heater amps by 1.04.

**Table 12 – Electric Heater Internal Protection**

HEATER kW	PHASE	FUSES QTY / SIZE	CKT BKR QTY / SIZE*
5	1	—	1/60
8	1	—	1/60
9	1/3	—	—
10	1	—	1/60
15	1	2/30, 2/60	2/60
15	3	—	—
18	3	—	—
20	1	4/60	2/60
24	1/3	6/60	—
30	1/3	6/60	—

\* All circuit breakers are 2 pole.

**Table 13 – Electric Heater Electrical Data**

FC Size	Motor FLA used	HEATER PART NO.	kW		P H A S E	Internal Circuit Protection	HEATER AMPS 208/230V <sup>†</sup>			MIN AMPACITY 208/230V <sup>†</sup>			BRANCH CIRCUIT								
							Single Circuit	Dual Circuit		Single Circuit	Dual Circuit		Min Wire Size (AWG) 208/230V <sup>†</sup>			Min Gnd Wire Size 208/230V <sup>†</sup>			Max Fuse/Ckt Bkr Amps 208/230V		
			240V	208V				L1,L2	L3,L4		L1,L2	L3,L4	Single Circuit	Dual Circuit		Single Circuit	Dual Circuit		Single Circuit	Dual Circuit	
24	4.0	KFFE0401N03	3	2.3	1	None	10.7/11.9	—	—	18.4/19.9	—	—	12/12	—	—	12/12	—	—	20/20	—	—
24-36	4.0	KFFE0501N05	5	3.8	1	None	17.8/19.7	—	—	27.3/29.6	—	—	10/10	—	—	10/10	—	—	30/30	—	—
24-36	4.0	KFFE2401C05	5	3.8	1	Ckt Bkr	17.8/19.7	—	—	27.3/29.6	—	—	10/10	—	—	10/10	—	—	30/30	—	—
48-60	5.7	KFFE0501N05	5	3.8	1	None	17.8/19.7	—	—	29.4/31.8	—	—	10/8	—	—	10/10	—	—	30/35	—	—
48-60	5.7	KFFE2401C05	5	3.8	1	Ckt Bkr	17.8/19.7	—	—	29.4/31.8	—	—	10/8	—	—	10/10	—	—	30/35	—	—
24-36	4.0	KFFE0801N08	8	6.0	1	None	28.5/31.5	—	—	40.6/44.4	—	—	8/8	—	—	10/10	—	—	45/45	—	—
24-36	4.0	KFFE2501C08	8	6.0	1	Ckt Bkr	28.5/31.5	—	—	40.6/44.4	—	—	8/8	—	—	10/10	—	—	45/45	—	—
48-60	5.7	KFFE0801N08	8	6.0	1	None	28.5/31.5	—	—	42.8/46.5	—	—	8/8	—	—	10/10	—	—	45/50	—	—
48-60	5.7	KFFE2501C08	8	6.0	1	Ckt Bkr	28.5/31.5	—	—	42.8/46.5	—	—	8/8	—	—	10/10	—	—	45/50	—	—
24-36	4.0	KFFE0901N10	10	7.5	1	None	35.6/39.4	—	—	49.5/54.3	—	—	8/6	—	—	10/10	—	—	50/60	—	—
24-36	4.0	KFFE2601C10	10	7.5	1	Ckt Bkr	35.6/39.4	—	—	49.5/54.3	—	—	8/6	—	—	10/10	—	—	50/60	—	—
48-60	5.7	KFFE0901N10	10	7.5	1	None	35.6/39.4	—	—	51.6/56.4	—	—	6/6	—	—	10/10	—	—	60/60	—	—
48-60	5.7	KFFE2601C10	10	7.5	1	Ckt Bkr	35.6/39.4	—	—	51.6/56.4	—	—	6/6	—	—	10/10	—	—	60/60	—	—
36	4.0	KFFE2901N09 <sup>‡</sup>	9	6.8	1	None	32.2/35.6	—	—	45.3/49.5	—	—	8/6	—	—	10/10	—	—	50/50	—	—
36	4.0	KFFE2901N09	9	6.8	3	None	18.6/20.6	—	—	28.3/30.8	—	—	8/8	—	—	10/10	—	—	30/35	—	—
48-60	5.7	KFFE2901N09 <sup>‡</sup>	9	6.8	1	None	32.2/35.6	—	—	47.4/51.6	—	—	8/6	—	—	10/10	—	—	50/60	—	—
48-60	5.7	KFFE2901N09	9	6.8	3	None	18.6/20.6	—	—	30.4/32.9	—	—	8/8	—	—	10/10	—	—	35/35	—	—
24-36	4.0	KFFE3001F15 <sup>**</sup>	15	11.3	1	Fuse	53.4/59.1	35.6/39.4	17.8/19.7	71.8/78.9	49.5/54.3	22.3/24.6	4/4	8/6	10/10	8/8	10/10	10/10	80/80	50/60	25/25
24-36	4.0	KFFE3101C15	15	11.3	1	Ckt Bkr	53.4/59.1	35.6/39.4	17.8/19.7	71.8/78.9	49.5/54.3	22.3/24.6	4/4	8/6	10/10	8/8	10/10	10/10	80/80	50/60	25/25
48-60	5.7	KFFE3001F15 <sup>**</sup>	15	11.3	1	Fuse	53.4/59.1	35.6/39.4	17.8/19.7	73.9/81.0	51.6/56.4	22.3/24.6	4/4	6/6	10/10	8/8	10/10	10/10	80/90	60/60	25/25
48-60	5.7	KFFE3101C15	15	11.3	1	Ckt Bkr	53.4/59.1	35.6/39.4	17.8/19.7	73.9/81.0	51.6/56.4	22.3/24.6	4/4	6/6	10/10	8/8	10/10	10/10	80/90	60/60	25/25
36	4.0	KFFE1601315	15	11.3	3	None	30.8/34.1	—	—	43.5/47.6	—	—	8/6	—	—	10/10	—	—	50/50	—	—
48-60	5.7	KFFE1601315	15	11.3	3	None	30.8/34.1	—	—	45.6/49.8	—	—	8/6	—	—	10/10	—	—	50/50	—	—
48-60	5.7	KFFE3601318	18	13.5	3	None	37.2/41.2	—	—	53.6/58.6	—	—	6/6	—	—	10/10	—	—	60/60	—	—
36	4.0	KFFE3201F20 <sup>**</sup>	20	15.0	1	Fuse	71.2/78.8	35.6/39.4	35.6/39.4	94.0/103.5	49.5/54.3	44.5/49.3	3/2	6/6	8/8	8/6	10/10	10/10	100/110	50/60	45/50
36	4.0	KFFE3301C20	20	15.0	1	Ckt Bkr	71.2/78.8	35.6/39.4	35.6/39.4	94.0/103.5	49.5/54.3	44.5/49.3	3/2	6/6	8/8	8/6	10/10	10/10	100/110	50/60	45/50
48-60	5.7	KFFE3201F20 <sup>**</sup>	20	15.0	1	Fuse	71.2/78.8	35.6/39.4	35.6/39.4	96.3/105.6	51.6/56.4	44.5/49.3	3/2	6/6	8/8	8/6	10/10	10/10	100/110	60/60	45/50
48-60	5.7	KFFE3301C20	20	15.0	1	Ckt Bkr	71.2/78.8	35.6/39.4	35.6/39.4	96.3/105.6	51.6/56.4	44.5/49.3	3/2	6/6	8/8	8/6	10/10	10/10	100/110	60/60	45/50
48-60	5.7	KFFE3701F24 <sup>‡†</sup>	24	18.0	3	Fuse	49.3/54.6	—	—	68.8/75.4	—	—	4/4	—	—	8/8	—	—	70/80	—	—
48-60	5.7		24	18.0	1	Fuse	85.5/94.5	—	—	114.0/125.3	—	—	2/1	—	—	6/6	—	—	125/150	—	—
48-60	5.7	KFFE3801F30 <sup>‡†</sup>	30	22.5	3	Fuse	61.7/68.2	—	—	84.3/92.4	—	—	4/3	—	—	8/8	—	—	90/100	—	—
48-60	5.7		30	22.5	1	Fuse	106.8/118.1	—	—	140.6/154.8	—	—	0/00	—	—	6/6	—	—	150/175	—	—

\*. For 240V, multiply 230V heater amps by 1.04. Wire sizing and over-current protection may need adjustment per local code requirements.  
<sup>†</sup>. Copper wire must be used. If other than uncoated (non-plated), 75°C ambient, copper wire (solid wire for smaller, and stranded wire for larger than 10 AWG) is used, consult applicable tables of the National Electric Code (ANSI/NFPA 70).  
<sup>‡</sup>. Field convertible to 3 phase.  
<sup>\*\*</sup>. Single circuit application of F15 and F20 heaters requires Single-point wiring kit accessory.  
<sup>††</sup>. Field convertible to 1 phase, single or multiple supply circuit.

**Table 14 – Field Multipoint Wiring or 24- and 30-kW Single Phase**

FC Size	Motor FLA used	HEATER PART NO.	kW		PHASE	HEATER AMPS 208/230V			MIN AMPACITY 208/230V <sup>*</sup>			MIN WIRE SIZE (AWG) 208/230V <sup>†</sup>			MIN GND WIRE SIZE 208/230V	MAX FUSE/CKT BKR AMPS 208/230V		
			240V	208V		L1,L2	L3,L4	L5,L6	L1,L2	L3,L4	L5,L6	L1,L2	L3,L4	L5,L6		L1,L2	L3,L4	L5,L6
48-60	5.7	KFFE3701F24 <sup>‡</sup>	24	18.0	1	28.5/31.5	28.5/31.5	28.5/31.5	42.8/46.5	35.6/39.4	35.6/39.4	8/8	8/8	8/8	10/10	50/50	40/40	40/40
48-60	5.7	KFFE3801F30 <sup>‡</sup>	30	22.5	1	35.6/39.4	35.6/39.4	35.6/39.4	51.6/56.4	44.5/49.3	44.5/49.3	6/6	8/8	8/8	10/10	60/60	45/50	45/50

\*. Includes blower motor amps of largest fan coil used with heater.  
<sup>†</sup>. Copper wire must be used. If other than uncoated (non-plated), 75°C ambient, copper wire (solid wire for 10 AWG and smaller, stranded wire for larger than 10 AWG) is used, consult applicable tables of the NEC (ANSI/NFPA 70).  
<sup>‡</sup>. Field convertible to 1 phase, single or multiple supply circuit.

19  
 Manufacturer reserves the right to change, at any time, specifications and designs without notice and without obligations.

## Accessories

### REQUIRED ACCESSORY

ITEM		ACCESSORY PART NO.*	FAN COIL SIZE USED WITH
1.	Infinity Black System Control (Wi-Fi®) Infinity White System Control (Wi-Fi®)	SYSTXCCITC01-C SYSTXCCWIC01-B	All
	or		
	Infinity Control Wi-Fi with bundled router	SYSTXCCITW01	All
	or		
1.	Infinity Control	SYST0101CWSYSTXCCITN 01	All

### ADDITIONAL ACCESSORIES

ITEM		ACCESSORY PART NO.*	FAN COIL SIZE USED WITH
2	Infinity Series 4 Zone Board	SYSTXCC4ZC01	All
3	Infinity Series Smart Sensor	SYSTXZNSMS01	All
4	Infinity Remote Room Sensor	SYSTXCCRRS01	All
5	Infinity Series Network Interface Module	SYSTXCCNIM01	All
6	Disconnect Kit	KFADK0301DSC	Cooling controls and heaters 3—10-kW
7	Downflow Base Kit	KFACB0201CFB	24, 36
		KFACB0301CFB	48
		KFACB0401CFB	60
8	Downflow Conversion Kit	KFADC0201SLP	Slope Coil Units—36
		KFADC0401ACL	A-Coil Units—24, 48, 60
9	Single-Point Wiring Kit	KFASP0101SPK	Only with 15- and 20-kW Fused Heaters
10	Filter	See <a href="#">Table 3</a> for filter dimension details	
11.	Fan Coil Filter Cabinet (Fan Coil Filter Media)	FNCCABXX0017 (MERV 8—FILXXFNC0017) (MERV 11—FILXXFNC0117) (MERV 13—FILXXFNC0317)	24
		FNCCABXX0021 (MERV 8—FILXXFNC0021) (MERV 11—FILXXFNC0121) (MERV 13—FILXXFNC0321)	36, 48
		FNCCABXX0024 (MERV 8—FILXXFNC0024) (MERV 11—FILXXFNC0124) (MERV 13—FILXXFNC0324)	60
12	Infinity Series Air Purifier (Purifier Replacement Cartridge)	DGAPAXX1620 (PGAPXCAR1620-A02)	24
		DGAPAXX2020 (PGAPXCAR2020-A02)	36, 48
		DGAPAXX2420 (PGAPXCAR2420-A02)	60
13	PVC Condensate Trap Kit (50 pack)	KFAET0150ETK	All
14	Air Cleaner 240-volt Conversion Kit	KEAVC0201240	All
15	Downflow/Horizontal Conversion Gasket Kit	KFAHD0101SLP	All
16	Horizontal Water Management Kit (25 pack)	KFAHC0125AAA	All
17	Door Gasket Kit **	344994-751	All
18	Hydronic Heat Interface Relay Kit	AFAINTHWC01A	All

\* Factory authorized and listed, field installed.

\*\*This kit is for replacement of factory installed gaskets if they are damaged or removed from the fan coil.

## Accessory Kits Description Suggested and Required Use

### 1. Control with Integrated Wi-Fi

Deluxe programmable wall-mounted system control with integrated Wi-Fi.  
or

#### Control Wi-Fi with bundled router

Deluxe programmable wall-mounted system control with integrated Wi-Fi.  
Sold bundled with Wi-Fi router

or

#### Infinity Control

Deluxe programmable wall-mounted system control without remote access.

### 2. Infinity 4 Zone Board

4-Zone Damper Control Module wall-mounted control.

REQUIRED USE: For all four-zone systems. For systems with 5 to 8 zones, a second Damper Control Module is required.

### 3. Infinity Smart Sensor

Wall control used to monitor temperature and/or fan control.

SUGGESTED USE: For use in zone systems.

### 4. Infinity Remote Room Sensor

Wired remote temperature sensor for zone control.

SUGGESTED USE: For use in zone systems.

### 5. Infinity Series Network Interface Module

Connects Heat Recovery and Energy Recovery Ventilators on non-zoning applications and non-communicating 2-speed units.

REQUIRED USE: For non-zoned systems installed with HRV or ERV, Hybrid Heat with non-communicating heat pumps or non-communicating 2-speed units.

### 6. Disconnect Kit

The kit is used to disconnect electrical power to the fan coil so service or maintenance may be performed safely.

SUGGESTED USE: Units for 3- through 10-kW electric resistance heaters and cooling controls.

### 7. Downflow Base Kit

This kit is designed to provide a 1-in. minimum clearance between unit discharge plenum, ductwork, and combustible materials. It also provides a gap-free seal with the floor.

REQUIRED USE: This kit must be used whenever fan coils are used in downflow applications.

### 8. Downflow Conversion Kit

Fan coils are shipped from the factory for upflow or horizontal-left applications. Downflow conversion kits provide proper condensate water drainage and support for the coil when used in downflow applications. Separate kits are available for slope coils and A-coils.

REQUIRED USE: This kit must be used whenever fan coils are used in downflow applications.

### 9. Single Point Wiring Kit

The single point wiring kit acts as a jumper between L1 and L3 lugs, and between the L2 and L4 lugs. This allows the installer to run 2 heavy-gauge, high-voltage wires into the fan coil rather than 4 light-gauge, high-voltage wires.

SUGGESTED USE: Fan coils with 15- and 20-kW fused heaters only.

### 10. Filter Kit (12 pack)

The kit consists of 12 fan coil framed filters. These filters collect large dust particles from the return air entering the fan coil and prevents them from collecting on the coil. This process helps to keep the coil clean, which increases heat transfer and, in turn, the efficiency of the system.

SUGGESTED USE: To replace filters in fan coils.

REQUIRED USE: All units unless a filter grille is used.

### 11. Filter Media Cabinet and Cartridges

This cabinet is mounted to the fan coil on the return air end and designed to slip over the outer fan coil casing. The cabinets are insulated using the same insulation as production fan coils. They are designed for the removal of particulates from indoor air using FILCCFNC00(14, 17, 21, 24) media filter cartridges.

SUGGESTED USE: All fan coils.

**12. Air Purifier and Cartridges**

The InfinityEvolution® Series Air Purifier wires directly to fan coil and requires no duct transitions with CarrierBryant units. It comes with an airflow sensor.

SUGGESTED USE: All fan coils.

**13. PVC Condensate Drain Trap Kit**

This kit consists of 50 PVC condensate traps. Each trap is pre-formed and ready for field installation. This deep trap helps the system make and hold proper condensate flow even during blower initiation.

SUGGESTED USE: All fan coils.

**14. Air Cleaner 240-volt Conversion Kit**

The AIRA electronic air cleaner comes ready for 115-v operation.

REQUIRED USE: This kit is required when running 240-volt circuit to air cleaner.

**15. Downflow/Horizontal Conversion Gasket Kit**

This kit provides the proper gasketing of units when applied in either a downflow or horizontal application.

REQUIRED USE: Fan coils in either downflow or horizontal applications.

**16. Horizontal Water Management Kit**

This kit provides proper installation of fan coils under conditions of high static pressure and high relative humidity.

SUGGESTED USE: All fan coils (except FE5 and FF1).

**17. Door Gasket Kit**

This kit consists of specific adhesive-backed foam strips which are applied to the unit door and frame, limiting air leakage.

**18. Hydronic Heat Interface Relay Kit**

This kit provides interface of the communicating fan coils with Hydronic Heat equipment.