

CODE NO.

CATALOG NO.

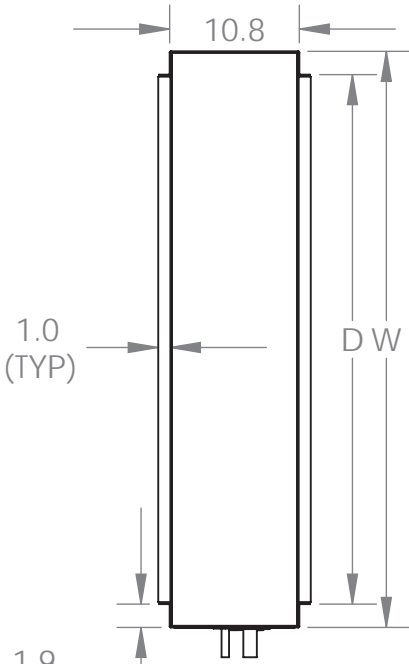
Magic Aire[®]

THIS DOCUMENT IS THE PROPERTY OF UNITED ELECTRIC CO. LP AND IS DELIVERED UPON THE EXPRESS CONDITION THAT THE CONTENTS WILL NOT BE DISCLOSED OR USED WITHOUT UNITED ELECTRIC CO. LP'S WRITTEN CONSENT.

SUBMISSION OF THESE DRAWINGS OR DOCUMENTS DOES NOT CONSTITUTE PART PERFORMANCE OR ACCEPTANCE OF CONTRACT.

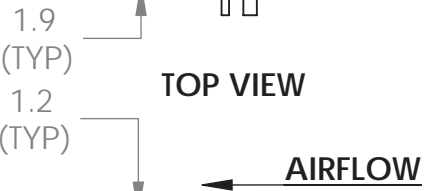
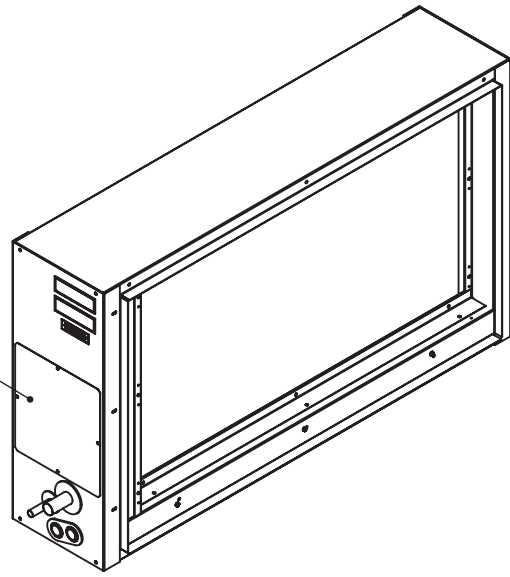
HXB30/40
LEFT HAND CONNECTION
UNIT OUTLINE

HXB



TOP VIEW

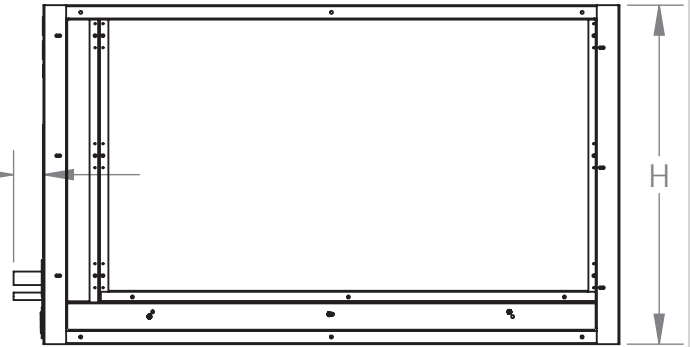
TXV ACCESS DOOR



FRONT VIEW

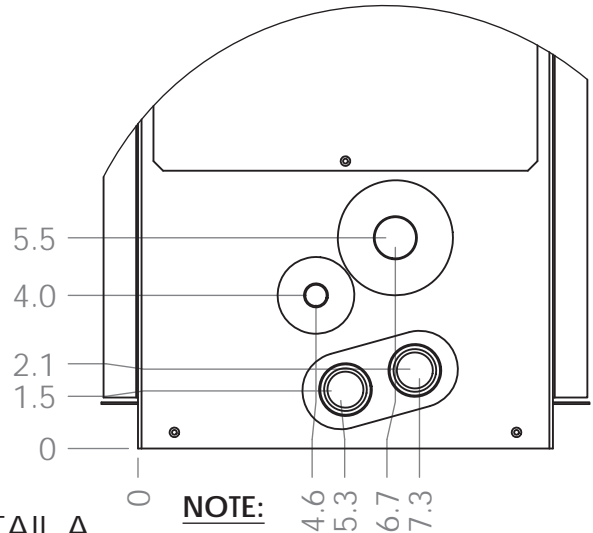
SUCTION Ø S
LIQUID Ø L
COND DRAIN W/AUX
(3/4 FPT TYP)

2.5 (TYP)



RIGHT SIDE VIEW

UNIT	DUCT DIM		CONN SIZE (OD)		OVERALL DIM	
	C	D	L	S	H	W
HXB-30	25.9	44.1	0.625	1.125	28.3	48.0
HXB-40	25.9	64.1	0.625	1.375	28.3	68.0



DETAIL A
SCALE 1 : 5

NOTE:
ALL DIMENSIONS ARE IN INCHES.

PRODUCT INFORMATION IS SUBJECT TO CHANGE WITHOUT NOTICE

JOB NAME JOB # BUYER BUYER # LOCATION

DRAWING NO.
HXB-102

REV
-