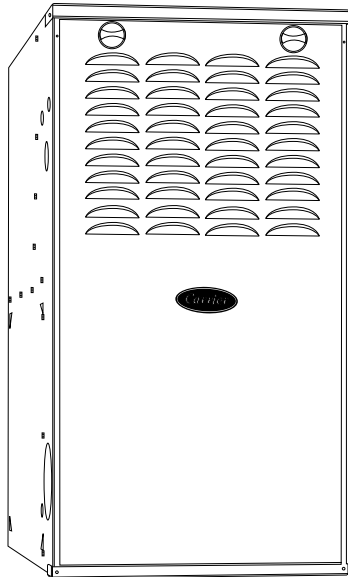


58TN0B/58TN1B

Infinity® 80 Two-Stage, 80% AFUE,
Variable Speed, 4-Way Multipoise, Gas Furnace



Product Data



A190411

WARNING

This furnace is not designed for use in mobile homes, trailers, or recreational vehicles. Such use could result in property damage and/or death.

The Infinity® 80 Variable-Speed, 4-way Multipoise Gas Furnaces offer unmatched comfort with ComfortHeat® and IdealHumidity® technologies in an 80% AFUE gas furnace. You get all the benefits of a ComfortHeat technology furnace: reduced drafts, reduced sound levels, longer cycles, less temperature swings between cycles, and less temperature differences between rooms. With the variable speed blower motor, homeowners can economically run constant fan to help eliminate temperature differences throughout the house and to get better indoor air quality. This furnace with IdealHumidity technology also increases comfort in the summer by wringing out extra humidity when needed. The Infinity 80 furnaces are approved for use with natural or propane gas, and the 58TN1 models can be installed in California air quality management districts with a 40 ng/J NOx emissions limit.

Carrier Infinity® System When the Infinities 80 variable-speed gas furnace is matched with the Infinity 80 Control and Infinity 80 air conditioner or heat pump, you will experience the ultimate in ComfortHeat and IdealHumidity through unparalleled control of temperature, humidity, indoor air quality, and zoning. The Carrier Infinity System also provides unprecedented ease of use through on-screen, text-based service reminders and equipment malfunction alerts.

PERFORMANCE

- Infinity System-match with the Infinity Control for Infinity System benefits
- Variable-speed, constant airflow ECM blower motor
Increased SEER ratings for AC and HP systems when paired with select Carrier evaporator coil as compared to standard coil-only ratings.
- Two-stage gas valve and ComfortHeat® Technology Intelligent microprocessor control
- Very low operating sound through low-stage operation and QuietTech™ system
- Integral part of the IdealHumidity System
Maximum dehumidification selection for summer time cooling
Full IdealHumidity benefits including “Super Dehumidify mode”
SmartEvap™-Humidity control when using a Thermostat™/Infinity control
- Power Heat™ Igniter
- Bluetooth® provides enhanced serviceability and diagnostics.
- Microprocessor based control center
- 3 Digit Display shows fault codes and Furnace Status
- On-board NFC antenna makes setup a tap away when using the CarrierBryant service technician app. Stores fault codes during power outages
- RAT and SAT thermistors can provide temperature rise.
- Draft Safeguard switch designed to ensure proper furnace venting
- Insulated blower compartment
- Inner blower door for tighter sealing

INSTALLATION FLEXIBILITY

- 4-way Multipoise furnace, 13 vent applications
- Compact design - only 33-1/3 in. (847 mm) tall

APPLICATIONS

- HYBRID HEAT® Dual Fuel System compatible
- All models are chimney friendly when used with accessory vent kit
- Comfort Fan™ - Up to 12 cooling airflow selections from thermostat with a wide range of capability
- Two-stage heating with single-stage thermostat with patented Adaptive Control Technology

CERTIFICATION

- Cabinet air leakage less than 2.0% at 1.0 in. w.c. and cabinet air leakage less than 1.4% at 0.5 in. w.c. when tested in accordance with ASHRAE standard 193

INFINITY SERIES

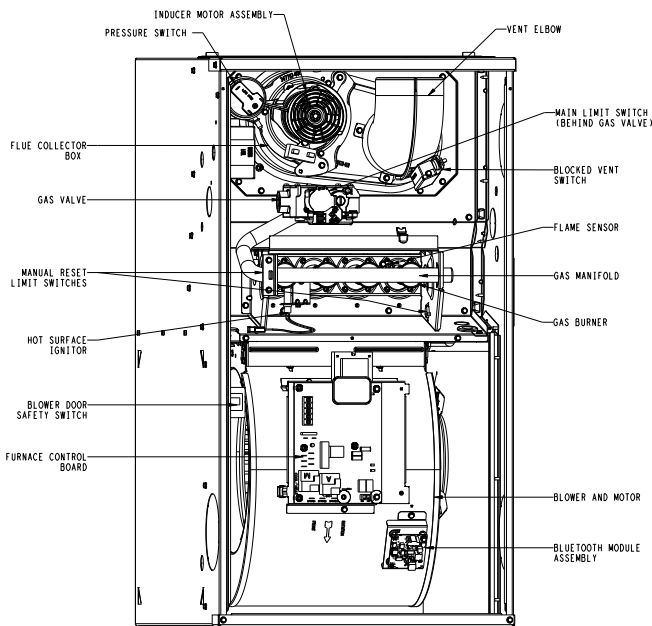


MODEL NUMBER NOMENCLATURE

1, 2	3	4	5	6	7, 8, 9	10	11, 12	13	14
Gas Furnace	Heating Stages	Tier	Min. AFUE/NOx	Major Series	Heating Input	Motor Type	Width	Voltage (1-phase)	Minor Series
58	T	N	0	B	060	C	17	1	1
58 = 80% Non-Condensing 59 = 90%+ Condensing	M = Modulating T = Two Stage S = Single Stage C = Single Stage Communicating	B = Base C = Comfort E = Export N = Infinity P = Performance U = Ultra Low Nox	0 = 80% 1 = 80% Low NOx (Not Ultra Low NOx) 2 = 92% 5 = 95% 6 = 96% 7 = 97% 8 = 98%	A B C ---	026 = 26,000 BTU 040 = 40,000 BTU 060 = 60,000 BTU --- 155 = 155,000 BTU	C = Constant Airflow Variable-Speed (VCA) ECM V = Variable-Speed (VCT) PWM M = Multi 18-Speed Constant Torque (MCT) ECM	14 - 14.2" 17 - 17.5" 21 - 21.0" 24 - 24.5"	1 = 110V/60Hz 2 = 230V/50Hz	1 2 3 ---

A230438

FURNACE COMPONENTS



A230441

NOTE: The furnaces are factory shipped for use with natural gas. These furnaces can be field-converted for propane gas with a factory-authorized and listed accessory conversion kit.

CLEARANCES

WARNING **ELECTRIC SHOCK AND MOVING PARTS HAZARD**
High voltage and rotating fan blades may be present in blower compartment when door switch is pressed. Keep hands clear.

WARNING
FIRE, EXPLOSION, ASPHYXIATION HAZARD

Improper adjustment, alteration, service, maintenance, or installation can cause serious injury or death.

Read and follow instructions and precautions in User's Information Manual provided with this furnace. Installation and service must be performed by a qualified service agency or the gas supplier.

CAUTION

Check entire gas assembly for leaks after lighting this appliance.

INSTALLATION

1. This furnace must be installed in accordance with the manufacturer's instructions and local codes. In the absence of local codes, follow the National Fuel Gas Code ANSI Z223.1 / NFPA54 or CSA B-149, 1 Gas Installation Code.
2. This furnace must be installed so there are provisions for combustion and ventilation air. See manufacturer's installation information provided with this appliance.

OPERATION

This furnace is equipped with manual reset limit switch(es) in burner compartment to protect against overheating conditions that can result from inadequate combustion air supply or blocked vent conditions.

- Do not bypass limit switches.
- If a limit opens, call a qualified serviceman to correct the condition and reset limit switch.

INSTALLATION

MINIMUM INCHES CLEARANCE TO COMBUSTIBLE CONSTRUCTION

This forced air furnace is equipped for use with natural gas at altitudes 0 - 10,000 ft (0 - 3,050m). An accessory kit, supplied by the manufacturer, shall be used to convert to propane gas use or may be required for some natural gas applications. This furnace is for indoor installation in a building constructed on site.

This furnace may be installed on combustible flooring in alcove or closet at minimum clearance as indicated by the diagram from combustible material.

This furnace may be used with a Type B-1 Vent and may be vented in common with other gas fired appliances.

MINIMUM INCHES CLEARANCE TO COMBUSTIBLE CONSTRUCTION

DOWNFLOW POSITIONS:

- † Installation on non-combustible floors only.
- For installation on combustible flooring only when installed on a manufacturer approved special base kit or manufacturer recommended coil assembly.
- Ø 18 inches front clearance required for alcove.

* Indicates supply or return sides when furnace is in the horizontal position. Line contact only permissible between lines formed by intersections of the Top and two Sides of the furnace jacket, and building joists, studs or framing.

38996-101 REV F

A220231

Manufacturer reserves the right to change, at any time, specifications and designs without notice and without obligations.

3

SPECIFICATIONS

UNIT SIZE		045C17--12	070C14--12	070C17--16	070C21-20	090C17--16	090C21--20	110C21--20	135C24--22	
HEATING AND CAPACITY AND EFFICIENCY										
Input BTUh *	All Standard, Low NOx Upflow	High	44,000	66,000	66,000	66,000	88,000	88,000	110,000	132,000
		Low	29,000	43,500	43,500	43,500	58,000	58,000	72,500	87,000
	Low Nox Downflow/Horizontal	High	42,000	63,000	63,000	63,000	84,000	84,000	105,000	126,000
		Low	29,000	43,500	43,500	43,500	58,000	58,000	72,500	87,000
Output Capacity (BTUh)†	All Standard, Low NOx Upflow	High	35,000	54,000	53,000	53,000	71,000	71,000	89,000	107,000
		Low	23,000	35,000	35,000	35,000	47,000	47,000	59,000	70,000
	Low Nox Downflow/Horizontal	High	34,000	51,000	51,000	51,000	68,000	68,000	85,000	102,000
		Low	23,000	35,000	35,000	35,000	47,000	47,000	59,000	70,000
Certified Temperature Rise Range - °F (°C)		High	30-60 (17-33)	30-60 (17-33)	25-55 (14-31)	25-55 (14-31)	40-70 (22-39)	25-55 (14-31)	40-70 (22-39)	40-70 (22-39)
		Low	20-50 (11-28)	30-60 (17-33)	15-45 (8-25)	15-45 (8-25)	30-60 (17-33)	15-45 (8-25)	25-55 (14-31)	25-55 (14-31)
AFUE†		80%								
AIRFLOW CAPACITY AND BLOWER DATA										
Rated Certified External Static Pressure	Heating	0.10	0.12	0.12	0.12	0.15	0.15	0.20	0.20	
	Cooling	0.50	0.50	0.50	0.50	0.50	0.50	0.50	0.50	
Airflow CFM @ Rated ESP (CFM)‡	High Heat	630	1030	1175	1174	1175	1650	1445	1815	
	Low Heat	520	650	1040	1025	965	1445	1315	1700	
	Cooling	1565	1355	1650	2070	1455	2270	2245	2240	
Direct Drive Motor HP		3/4	1/2	3/4	1	1/2	1	1	1	
Motor Full Load Amps		8.8	6.7	8.8	11.5	6.7	11.5	11.5	11.7	
Heating Blower Control (Htg Off-Delay)		Adjustable: 90, 120 (factory-set), 150, 180 seconds								
Cooling Blower Control (Time Delay Relay)		Adjustable: 90 (factory-set), 5, 30, 60 seconds								
Blower Wheel Diameter x Width - In. (mm)		11 x 8 (279x203)	10 x 6 (254x152)	11 x 8 (279x203)	11 x 10 (279x254)	10 x 8 (254x203)	11 x 11 (279x279)	11 x 10 (279x254)	11 x 11 (279x279)	
Air Filtration System		Field Supplied Filter								
Filter used for Certified Watt Data		325531-40**								
ELECTRICAL DATA										
Unit Volts-Hertz-Phase		115-60-1								
Operating Voltage Range	Min-Max	104-127								
Maximum Unit Amps		10.5	8.0	10.5	13.8	8.6	14.4	14.7	13.9	
Unit Ampacity		13.8	10.7	13.8	18.0	11.3	18.5	18.8	17.8	
Maximum Wire Length (Measure 1 way in Ft. (M))		26 (7.9)	34 (10.4)	26 (7.9)	31 (9.4)	32 (9.8)	31 (9.4)	30 (9.1)	32 (9.8)	
Minimum Wire Size	AWG	14	14	14	12	14	12	12	12	
Max. Fuse/Ckt Bkr Size (Time-Delay Type Recommended)	Amps	15	15	15	20	15	20	20	20	
Transformer Capacity (24 VAC output)		40VA								

SPECIFICATIONS (Continued)

UNIT SIZE		045C17--12	070C14--12	070C17--16	070C21-20	090C17--16	090C21--20	110C21--20	135C24--22
External Control Power Available	Heating	24VA							
	Cooling	35VA							
GAS CONTROLS									
Burners		2	3	3	3	4	4	5	6
Gas Connection Size		1/2-in. NPT							
Gas Valve (Redundant)	Mfr	WhiteRodgers™							
Min. inlet pressure	(in.w.c.)	4.5 (Natural Gas)							
Max. inlet pressure	(in.w.c.)	13.6 (Natural Gas)							
Ignition Device		Silicon Nitride							
Factory installed orifice		Size 43							
CONNECTIONS									
Communication System		Infinity®; Infinity® Zoning							
Thermostat Connections		R, W/W1, W2, Y/Y2, Y1, G, Com 24V, DHUM							
Accessory Connections		EAC-1 (115 VAC); HUM (24 VAC); 1-STG AC (via Y/Y2)							

*. Gas input ratings are certified for elevations to 2000 ft. (610 M). In USA, For elevations above 2000 ft (610 M), reduce ratings 4 percent for each 1000 ft (305 M) above sea level. Refer to National Fuel Gas Code NFPA 54/ANSI Z223.1 Table F.4 or furnace installation instructions.

†. Capacity in accordance with U.S. Government DOE test procedures.

‡. Airflow shown is for bottom only return-air supply for the as-shipped speed tap. For air delivery above 1800 CFM, see Air Delivery table for other options. A filter is required for each return-air supply. An airflow reduction of up to 7 percent may occur when using the factory-specified 4-5/16-in. (110 mm) wide, high efficiency media filter.

**. See Accessory List for part numbers available.

AIR DELIVERY—CFM (With Filter)*

045C17--12													
Available Cooling Airflow Settings (CFM)	488	525	555	600	650	700	740	*800	875	925	975	1000	†1050
	1138	1200	1225	1300	1400	1480	1600						
Available Constant Fan Airflow Settings (CFM)	‡488	525	555	600	650	700	740	800	875	925	975	1000	1050
	1138	1200	1225										
Airflow reduces by 2% - 3% per 0.1 of ESP above the noted static for these airflow settings	Airflow	ESP (in. w.c.)											
	1400	0.7											
	1480	0.5											
	1600	0.3											
Max Cooling ESP	0.1	0.2	0.3	0.4	0.5	0.6	0.7	0.8	0.9	1			
**Max Cooling CFM	1695	1670	1640	1605	1565	1530	1490	1445	1400	1360			

070C14--12													
Available Cooling Airflow Settings (CFM)	400	450	488	525	555	600	650	700	740	*800	875	925	975
	1000	†1050	1138	1200	1225	1300	1400						
Available Constant Fan Airflow Settings (CFM)	‡400	450	488	525	555	600	650	700	740	800	875	925	975
	1000	1050	1138										
Airflow reduces by 2% - 3% per 0.1 of ESP above the noted static for these airflow settings	Airflow	ESP (in. w.c.)											
	1200	0.8											
	1225	0.8											
	1300	0.6											
Max Cooling ESP	0.1	0.2	0.3	0.4	0.5	0.6	0.7	0.8	0.9	1			
**Max Cooling CFM	1430	1430	1420	1390	1355	1315	1275	1235	1195	1155			

070C17--16													
Available Cooling Airflow Settings (CFM)	488	525	555	600	650	700	740	800	875	925	975	1000	*1050
	1138	1200	1225	1300	†1400	1480	1600						
Available Constant Fan Airflow Settings (CFM)	‡488	525	555	600	650	700	740	800	875	925	975	1000	1050
	1138	1200	1225										
Airflow reduces by 2% - 3% per 0.1 of ESP above the noted static for these airflow settings	Airflow Setting	ESP (in. w.c.)											
	1480	0.9											
	1600	0.7											
Max Cooling ESP	0.1	0.2	0.3	0.4	0.5	0.6	0.7	0.8	0.9	1			
**Max Cooling CFM	1655	1655	1655	1655	1650	1645	1615	1570	1520	1475			

070C21--20													
Available Cooling Airflow Settings (CFM)	650	700	740	800	875	925	975	1000	1050	1138	1200	1225	*1300
	1400	1480	1600	1625	†1750	1850	1911	2000					
Available Constant Fan Airflow Settings (CFM)	‡650	700	740	800	875	925	975	1000	1050	1138	1200	1225	1300
	1400	1480	1600										
Airflow reduces by 2% - 3% per 0.1 of ESP above the noted static for these airflow settings	Airflow	ESP (in. w.c.)											
	1850	0.9											
	1911	0.8											
	2000	0.5											
Max Cooling ESP	0.1	0.2	0.3	0.4	0.5	0.6	0.7	0.8	0.9	1			
**Max Cooling CFM	2095	2095	2100	2100	2070	2035	1995	1960	1920	1880			

AIR DELIVERY—CFM (With Filter)* (Continued)

090C17--16													
Available Cooling Airflow Settings (CFM)	400	450	488	525	555	600	650	700	740	800	875	925	975
	1000	*1050	1138	1200	1225	1300	†1400	1480	1600				
Available Constant Fan Airflow Settings (CFM)	‡400	450	488	525	555	600	650	700	740	800	875	925	975
	1000	1050	1138										
Airflow reduces by 2% - 3% per 0.1 of ESP above the noted static for these airflow settings	Airflow		ESP (in. w.c.)										
	1300		0.9										
	1400		0.7										
	1480		0.5										
	1600		0.1										
Max Cooling ESP	0.1	0.2	0.3	0.4	0.5	0.6	0.7	0.8	0.9	1			
**Max Cooling CFM	1595	1560	1525	1490	1455	1420	1385	1340	1280	1220			

090C21--20													
Available Cooling Airflow Settings (CFM)	650	700	740	800	875	925	975	1000	1050	1138	1200	1225	*1300
	1400	1480	1600	1625	†1750	1850	1911	2000	2100	2179	2200		
Available Constant Fan Airflow Settings (CFM)	‡650	700	740	800	875	925	975	1000	1050	1138	1200	1225	1300
	1400	1480	1600										
Airflow reduces by 2% - 3% per 0.1 of ESP above the noted static for these airflow settings	Airflow Setting		ESP (in. w.c.)										
	2000		0.8										
	2100		0.7										
	2179		0.6										
	2200		0.5										
Max Cooling ESP	0.1	0.2	0.3	0.4	0.5	0.6	0.7	0.8	0.9	1			
**Max Cooling CFM	2290	2290	2290	2285	2270	2230	2185	2130	2070	2015			

110C21--20													
Available Cooling Airflow Settings (CFM)	650	700	740	800	875	925	975	1000	1050	1138	1200	1225	*1300
	1400	1480	1600	1625	†1750	1850	1911	2000	2100	2179	2200		
Available Constant Fan Airflow Settings (CFM)	‡650	700	740	800	875	925	975	1000	1050	1138	1200	1225	1300
	1400	1480	1600										
Airflow reduces by 2% - 3% per 0.1 of ESP above the noted static for these airflow settings	Airflow Setting		ESP (in. w.c.)										
	2000		0.9										
	2100		0.7										
	2179		0.6										
	2200		0.5										
Max Cooling ESP	0.1	0.2	0.3	0.4	0.5	0.6	0.7	0.8	0.9	1			
**Max Cooling CFM	2270	2270	2270	2270	2245	2200	2150	2100	2050	1995			

135C24--22													
Available Cooling Airflow Settings (CFM)	550	600	650	700	740	800	875	925	975	1000	1050	1138	1200
	1225	1300	*1400	1480	1600	1625	1750	1850	†1911	2000	2100	2179	
Available Constant Fan Airflow Settings (CFM)	‡550	600	650	700	740	800	875	925	975	1000	1050	1138	1200
	1225	1300	1400										
Airflow reduces by 2% - 3% per 0.1 of ESP above the noted static for these airflow settings	Airflow Setting		ESP (in. w.c.)										
	1911		0.9										
	2000		0.7										
	2100		0.6										
	2250		0.4										
Max Cooling ESP	0.1	0.2	0.3	0.4	0.5	0.6	0.7	0.8	0.9	1			
**Max Cooling CFM	2270	2255	2255	2245	2240	2200	2135	2070	2010	1945			

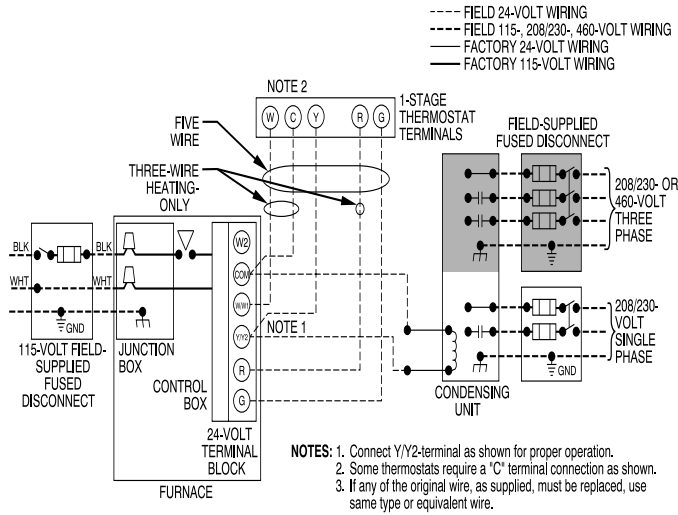
* Low Cooling Default

† High Cooling Default

‡ Constant Fan Default **Not Recommended**

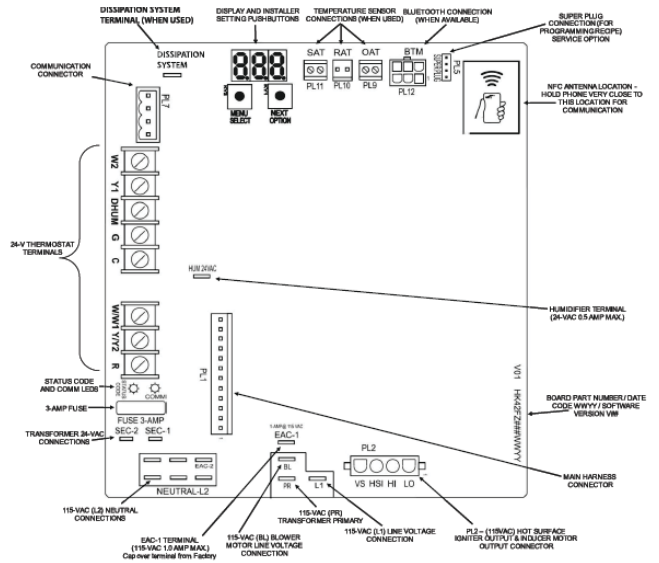
** Max Cooling values are test CFM all other airflows are standard CFM

TYPICAL WIRING SCHEMATIC



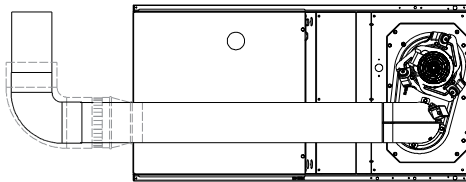
A95236

FURNACE CONTROL BOARD



A230451

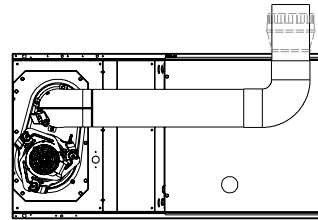
VENTING CONFIGURATIONS



SEE NOTES: 1,2,4,5,7,8,9

HORIZONTAL RIGHT

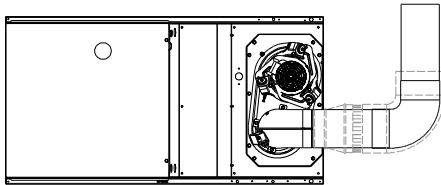
A02068



SEE NOTES: 1,2,4,5,7,8,9

HORIZONTAL LEFT

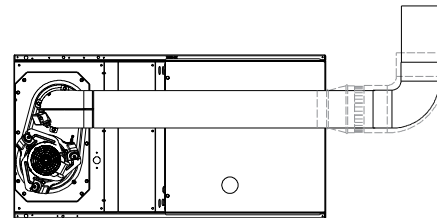
A02065



SEE NOTES: 1,2,4,7,8,9

HORIZONTAL RIGHT

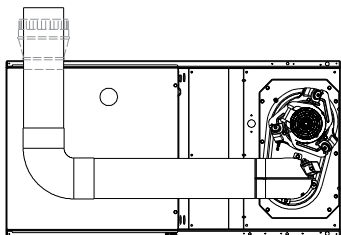
A02069



SEE NOTES: 1,2,4,5,7,8,9

HORIZONTAL LEFT

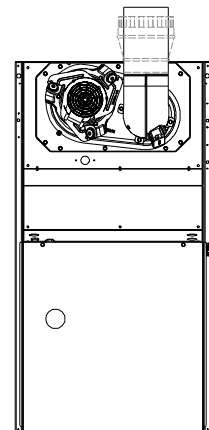
A02067



SEE NOTES: 1,2,4,5,7,8,9

HORIZONTAL RIGHT

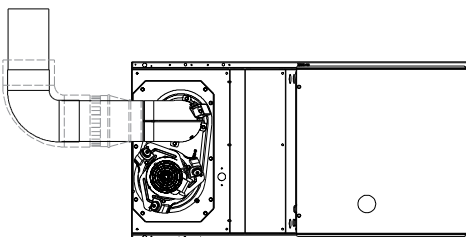
A02070



SEE NOTES: 1,2,4,7,8,9

UPFLOW

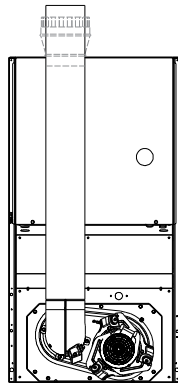
A02058



SEE NOTES: 1,2,4,7,8,9

HORIZONTAL LEFT

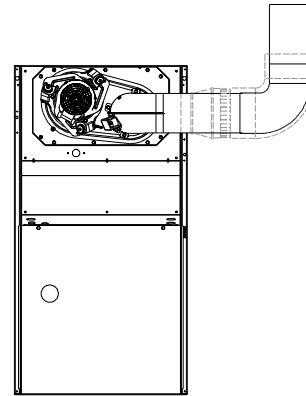
A02064



SEE NOTES: 1,2,4,5,7,8,9

DOWNFLOW

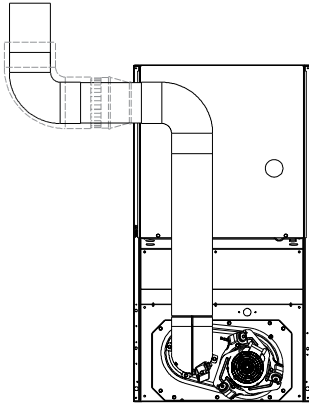
A02061



SEE NOTES: 1,2,3,4,7,8,9

UPFLOW

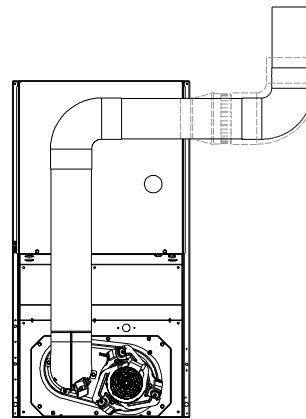
A02059



SEE NOTES:1,2,3,4,5,7,8,9

DOWNFLOW

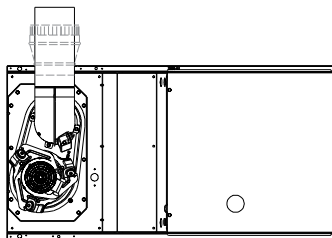
A02060



SEE NOTES: 1,2,3,4,7,8,9

DOWNFLOW

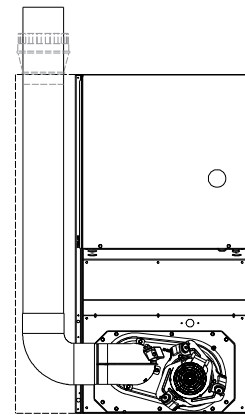
A02063



SEE NOTES: 1,2,4,5,7,8,9

HORIZONTAL LEFT

A02066



SEE NOTES: 1,2,4,5,6,7,8,9

DOWNFLOW

A02062

VENTING NOTES

1. For common vent, vent connector sizing and vent material: United States, latest edition of the National Fuel Gas Code (NFGC), ANSI Z223.1/NFPA 54.
2. Immediately increase to 5-in. (127 mm) vent connector outside furnace casing when 5-in. (127 mm) vent connector required, refer to Note 1.
3. Side outlet vent for upflow and downflow installations must use Type B vent immediately after exiting the furnace, except when Downflow Vent Guard is used in downflow position.
4. Type B vent where required, refer to Note 1.
5. 4-in. (102 mm) single wall vent must be used inside furnace casing and the Downflow Vent Guard Kit.
6. Accessory Downflow Vent Guard Kit required in downflow installations with bottom vent configuration.
7. Chimney Adapter Kit required for exterior masonry chimney applications. Refer to Chimney Adapter Kits for sizing and complete application details.
8. Secure vent connector to furnace elbow with (2) corrosion-resistant sheet metal screws, space approximately 180 apart.
9. Secure all other single wall vent connector joints with (3) corrosion-resistant screws spaced approximately 120 apart. Secure Type B vent connectors per vent connector manufacturer's recommendations.

ACCESSORIES

PART NUMBER	DESCRIPTION	045C17--12	070C14-12	070C17-16	070C21-20
ACG1425NCB*	External Filter Rack, 14-1/2 x 25"	-	X	-	-
ACG1625NCF*	External Filter Rack, 16 x 25"	X	-	X	-
ACG2025NCJ*	External Filter Rack, 20 x 25"	-	-	-	X
325531-402*	Washable filter, 3/4" x 16" x 25"	X	X	X	-
325531-403*	Washable filter, 3/4" x 21" x 25"	-	-	-	X
KGACA02014FC	Chimney Adapter Kit, up to or equal to 110K BTUh	X	X	X	X
KGAFE0112UPH	Flue Extension	X	X	X	X
KGAVE0101DNH	Vent Extension Kit	X	X	X	X
KGASB0201ALL	Combustible Floor Base (Not required when evaporator coil case is used for downflow)	X	X	X	X
KGBVG0101DFG	Downflow Vent Guard (Not required when vent is routed through cabinet)	X	X	X	X
AGAGC8NPS01B*	Natural-to-Propane Conversion Kit†	X	X	X	X
AGAGC8PNS01B*	Propane-to-Natural Conversion Kit*	X	X	X	X
KGAAH5801PSW	High Altitude Pressure Switch Kit	X	X	X	X
SYSTXCC	Infinity®; Infinity® Zoning	X	X	X	X

*. Purchased through Replacement Components

†. Factory-authorized and field installed. Fuel conversion kits are CSA (formerly AGA/CGA) recognized.

X = Accessory

PART NUMBER	DESCRIPTION	090C17-16	090C21-20	110C21-20	135C24-22
ACG1625NCF*	External Filter Rack, 16 x 25"	X	-	-	-
ACG2025NCJ*	External Filter Rack, 20 x 25"	-	X	X	-
ACG2424NCL*	External Filter Rack, 24-1/2 x 24"	-	-	-	X
325531-402*	Washable filter, 3/4" x 16" x 25"	X	-	-	-
325531-403*	Washable filter, 3/4" x 21" x 25"	-	X	X	-
325531-404*	Washable filter, 3/4" x 24" x 25"	-	-	-	X
KGACA02014FC	Chimney Adapter Kit, up to or equal to 110K BTUh	X	X	X	-
KGACA02015FC	Chimney Adapter Kit, greater than or equal to 135K BTUh	-	-	-	X
KGAFE0112UPH	Flue Extension	X	X	X	X
KGAVE0101DNH	Vent Extension Kit	X	X	X	X
KGASB0201ALL	Combustible Floor Base (Not required when evaporator coil case is used for downflow)	X	X	X	X
KGBVG0101DFG	Downflow Vent Guard (Not required when vent is routed through cabinet)	X	X	X	X
AGAGC8NPS01B*	Natural-to-Propane Conversion Kit*	X	X	X	X
AGAGC8PNS01B*	Propane-to-Natural Conversion Kit*	X	X	X	X
KGAAH5801PSW	High Altitude Pressure Switch Kit	X	X	X	X
SYSTXCC	Infinity®; Infinity® Zoning	X	X	X	X

*. Factory-authorized and field installed. Fuel conversion kits are CSA (formerly AGA/CGA) recognized.

X = Accessory

ACCESSORIES (continued)

ORIFICES	
Gas Orifice Kit - #42 (Nat Gas)	LH32DB207
Gas Orifice Kit - #43 (Nat Gas)	LH32DB202
Gas Orifice Kit - #44 (Nat Gas)	LH32DB200
Gas Orifice Kit - #45 (Nat Gas)	LH32DB205
Gas Orifice Kit - #46 (Nat Gas)	LH32DB208
Gas Orifice Kit - #47 (Nat Gas)	LH32DB078
Gas Orifice Kit - #48 (Nat Gas)	LH32DB076
Gas Orifice Kit - #54 (LP)	LH32DB203
Gas Orifice Kit - #55 (LP)	LH32DB201
Gas Orifice Kit - #56 (LP)	LH32DB206
Gas Orifice Kit - 1.25mm (LP)	LH32DB209
Gas Orifice Kit - 1.30mm (LP)	LH32DB210

See Installation Instructions for model, altitude, and heat value usages.

DESCRIPTION	ACCESSORY
HUMIDIFIER	Model HUM
HEAT RECOVERY VENTILATOR	Model HRV
ENERGY RECOVERY VENTILATOR	Model ERV
UV LIGHTS	Model UVL

- Carrier has a wide variety of thermostats for your system, please visit www.Carrier.com to see all thermostat and IAQ products.

DESCRIPTION	ACCESSORY	14"	17"	21"	24"
Carrier Carbon Monoxide Alarm (10 pack)	COALMCCNRB02-A10	X	X	X	X
Carrier Infinity Air Purifier - 16x25 (407x635 mm)	DGAPAXX1625	X	X	-	-
Carrier Infinity Air Purifier - 20x25 (508x635 mm)	DGAPAXX2025	-	-	X	X
Carrier Infinity Air Purifier Repl. Filter- 16x25 (407x635 mm)	GAPCCCAR1625-A05	X	X	-	-
Carrier Infinity Air Purifier Repl. Filter- 20x25 (508x635 mm)	GAPCCCAR2025-A05	-	-	X	X
Cartridge Media Filter - 16" (407 mm) (MERV 11)	FILXXCAR0116	X	X	-	-
Cartridge Media Filter - 16" (407 mm) (MERV 8)	FILXXCAR0016	X	X	-	-
Cartridge Media Filter - 20" (508 mm) (MERV 8)	FILXXCAR0020	-	-	X	-
Cartridge Media Filter - 20" (508 mm) (MERV11)	FILXXCAR0120	-	-	X	-
Cartridge Media Filter - 24" (610 mm) (MERV 8)	FILXXCAR0024	-	-	-	X
Cartridge Media Filter - 24" (610 mm) (MERV11)	FILXXCAR0124	-	-	-	X
EZ Flex Cabinet Side or Bottom - 16"	EZXCABCR0016	X	X	-	-
EZ Flex Cabinet Side or Bottom - 20"	EZXCABCR0020	-	-	X	X
EZ Flex Replacement Filters 16" MERV 10	EXPXXFIL0016	X	X	-	-
EZ Flex Replacement Filters 16" MERV 13	EXPXXFIL0316	X	X	-	-
EZ Flex Replacement Filters 20" MERV 10	EXPXXFIL0020	-	-	X	-
EZ Flex Replacement Filters 20" MERV 13	EXPXXFIL0320	-	-	X	-
EZ Flex Replacement Filters 24" MERV 10	EXPXXFIL0024	-	-	-	X
EZ Flex Replacement Filters 24" MERV 13	EXPXXFIL0324	-	-	-	X
EZ-Flex Filter with End Caps - 16" (407 mm) (MERV 10)	EXPXXUNV0016	X	X	-	-
EZ-Flex Filter with End Caps - 16" (407 mm) (MERV 13)	EXPXXUNV0316	X	X	-	-
EZ-Flex Filter with End Caps - 20" (508 mm) (MERV 10)	EXPXXUNV0020	-	-	X	-
EZ-Flex Filter with End Caps - 20" (508 mm) (MERV 13)	EXPXXUNV0320	-	-	X	-
EZ-Flex Filter with End Caps - 24" (610 mm) (MERV 10)	EXPXXUNV0024	-	-	-	X
EZ-Flex Filter with End Caps - 24" (610 mm) (MERV 13)	EXPXXUNV0324	-	-	-	X
Media Filter Cabinet - 20"	FILCABXL0020	-	-	X	-
Media Filter Cabinet - 24"	FILCABXL0024	-	-	-	X
Media Filter Cabinet -16"	FILCABXL0016	X	X	-	-

