

# PRODUCT INFORMATION PACKET



Model No: BF2024

Catalog No: BF2024

1/4 HP Fan and Blower HVAC/R Motor, 1 phase, 1800 RPM, 115/208-230 V, 48 Frame, OPEN  
Fan and Blower Motors



Regal and Century are trademarks of Regal Rexnord Corporation or one of its affiliated companies.

©2021 Regal Rexnord Corporation, All Rights Reserved. MC017097E





**Nameplate Specifications**

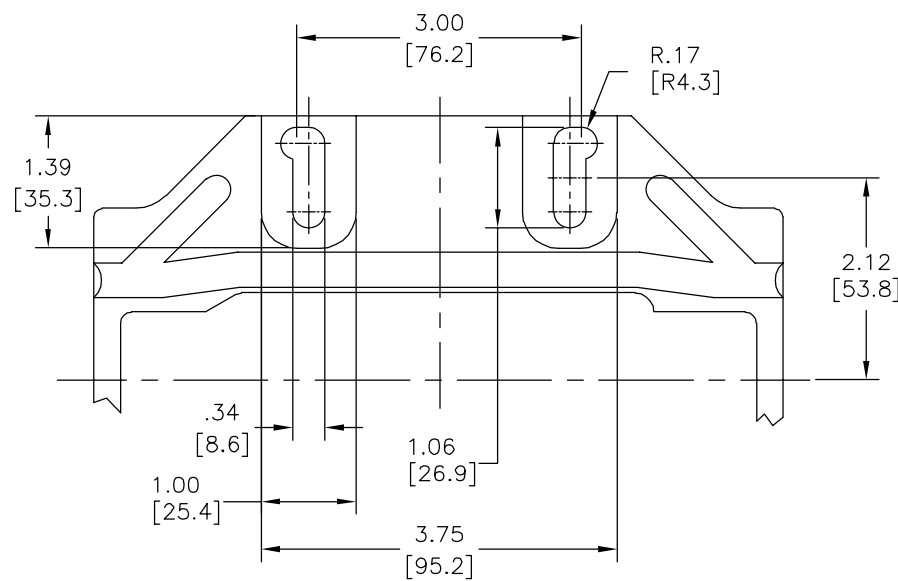
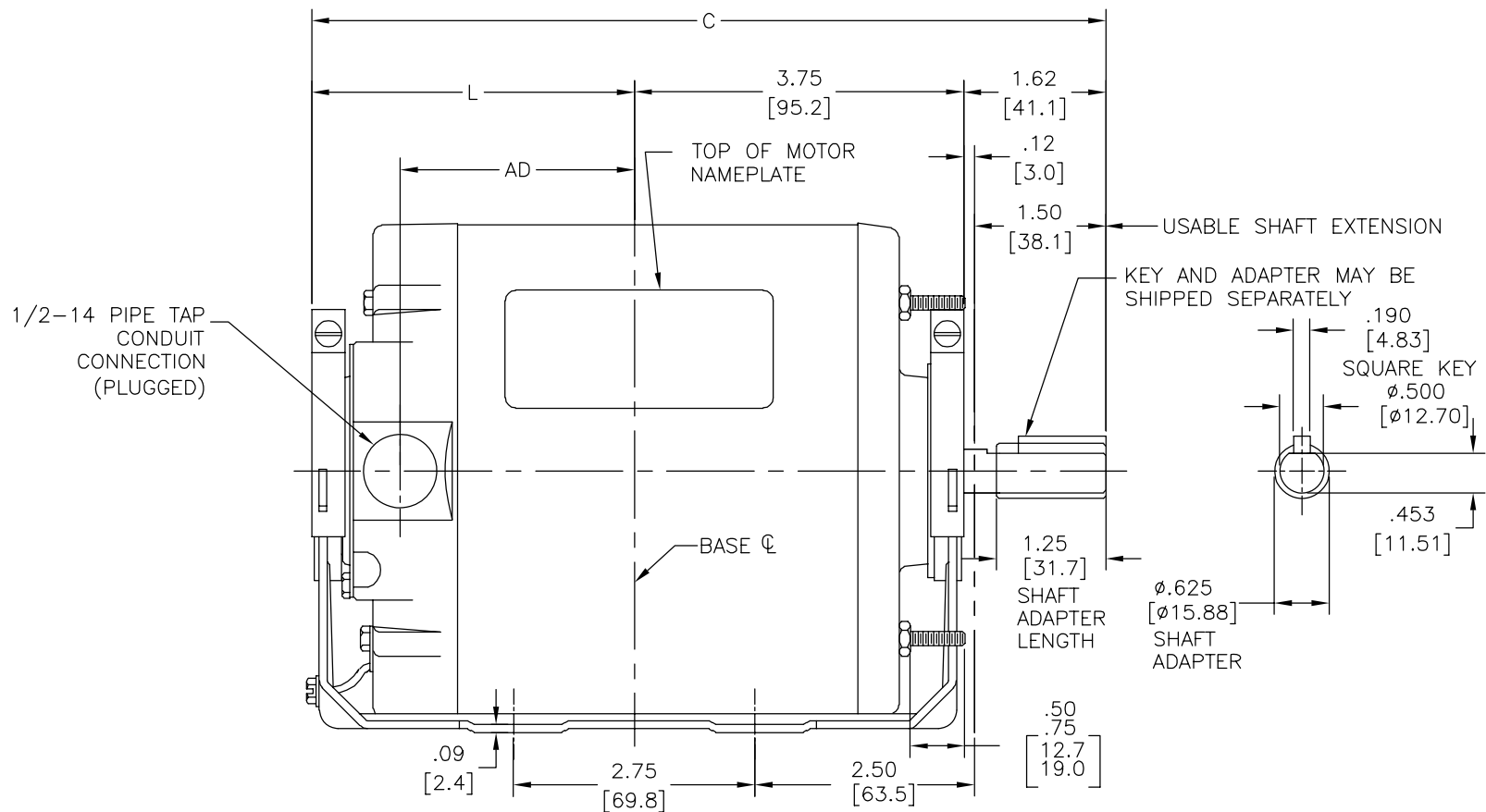
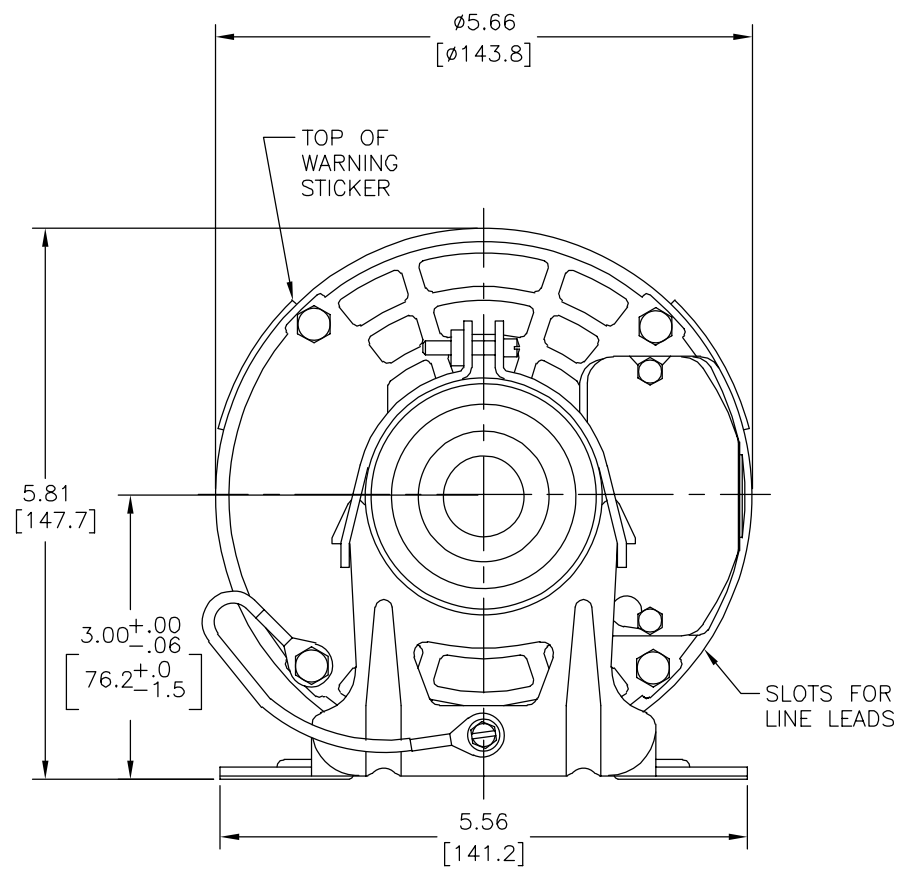
Output HP	1/4 Hp	Output KW	0.19 kW
Frequency	60 Hz	Voltage	115/208-230 V
Current	4.6/2.3 A	Speed	1725 rpm
Service Factor	1.35	Phase	1
Duty	Continuous	Insulation Class	B
Frame	48	Enclosure	Open Enclosed
Thermal Protection	Automatic	Ambient Temperature	40 °C
UL	Recognized	CSA	Y
CE	N	Number of Speeds	1

**Technical Specifications**

Electrical Type	Split Phase	Starting Method	Across The Line
Poles	4	Rotation	Reversible
Mounting	Resilient Base	Drive End Bearing	Ball
Opp Drive End Bearing	Ball	Frame Material	Rolled Steel
Shaft Type	Keyed	Overall Length	9.15 in
Frame Length	5.94 in	Shaft Diameter	0.625 in
Shaft Extension	1.62 in		
Connection Drawing	626883-001B	Outline Drawing	11668-027-S01

This is an uncontrolled document once printed or downloaded and is subject to change without notice. Date Created:10/07/2021

REV	ECO	REV BY	DATE	APPD	DATE
G	0025402	O. CARVAJAL	04-13-2012	D. BALDERRAMA	04-13-2012



BOTTOM VIEW OF BASE

MODEL NUMBER	FRAME LENGTH (REF)	C	L	AD	GRAINGER MODEL NUMBER
BF2024	4.562 [115.87]	9.15 [232.4]	3.78 [96.0]	2.72 [69.1]	—
BF2034	4.812 [122.22]	9.40 [238.8]	4.03 [102.3]	2.97 [75.4]	—
BF2054	5.312 [134.92]	9.90 [251.5]	4.53 [115.1]	3.47 [88.1]	4UE88

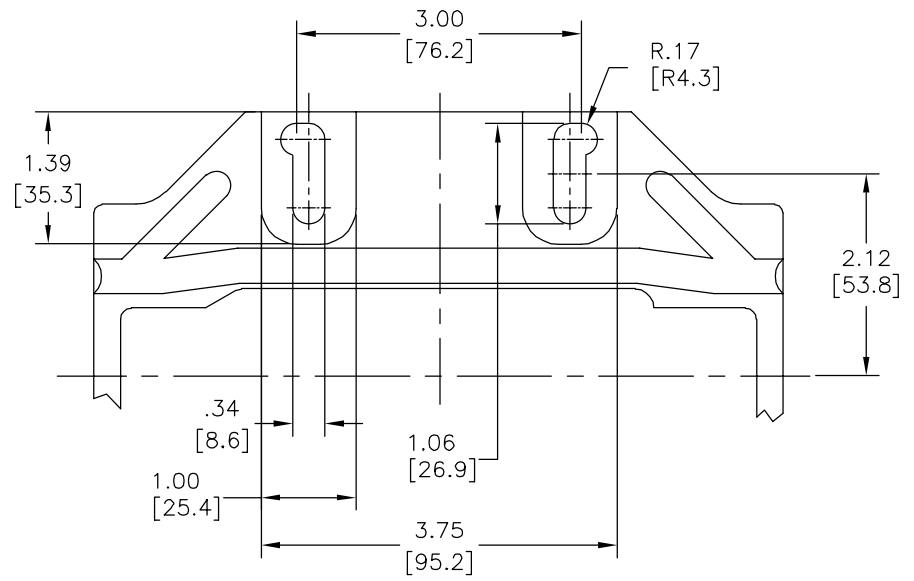
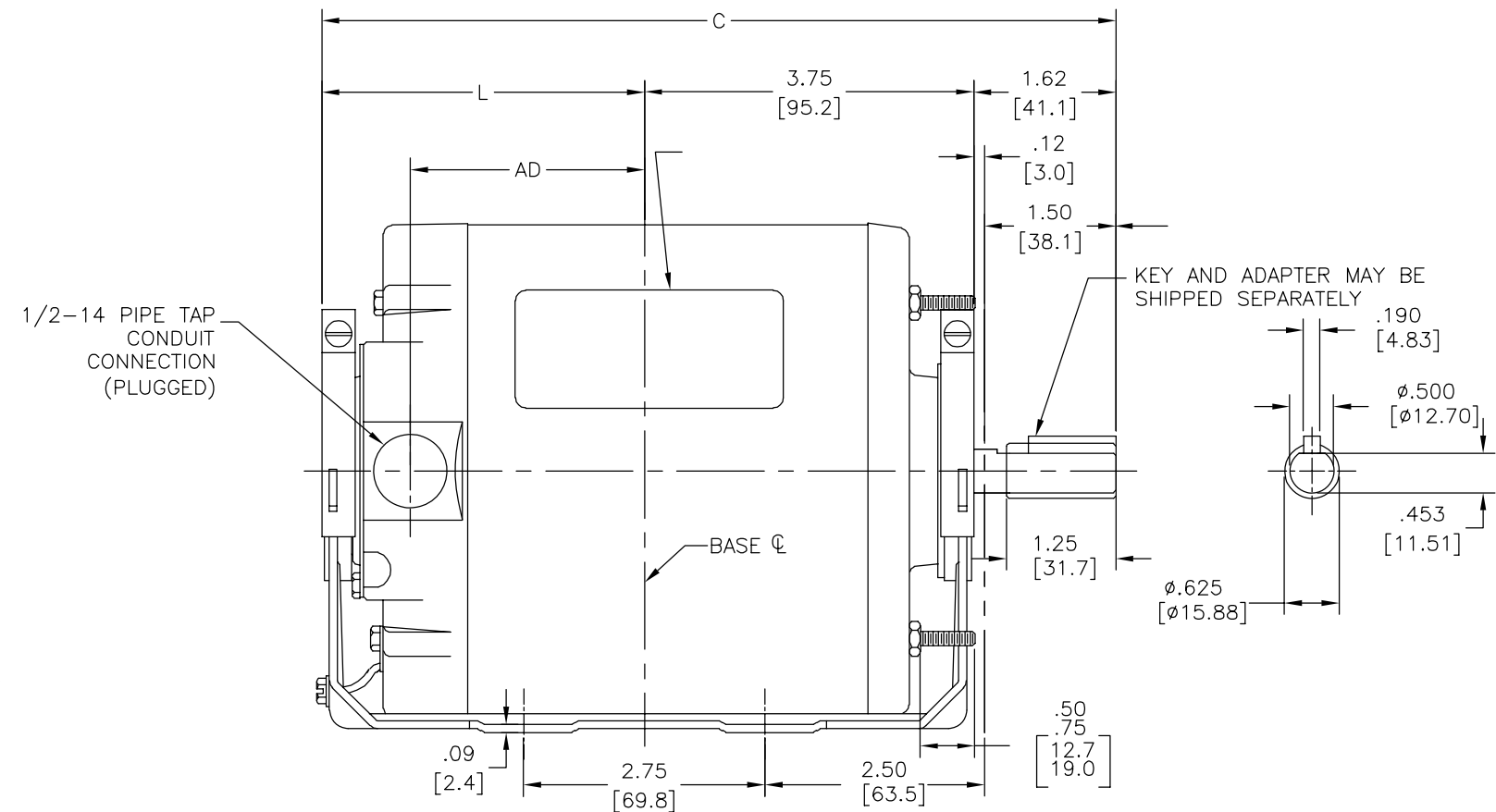
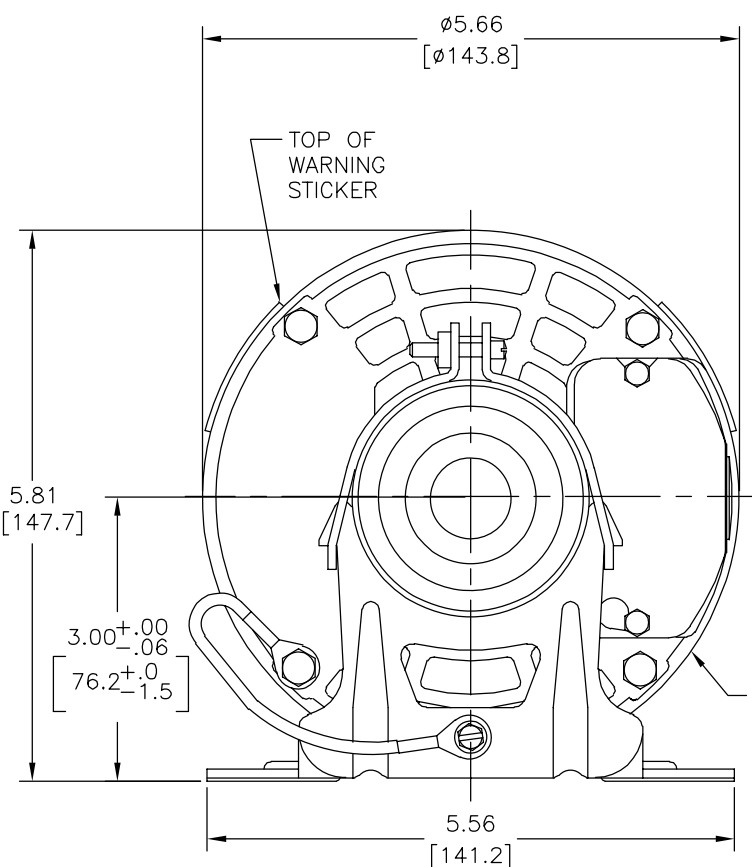
GEOMETRIC CHARACTERISTICS & SYMBOLS  
 □ FLATNESS  
 — STRAIGHTNESS  
 ∠ ANGULARITY  
 ⊥ PERPENDICULARITY (SQUARENESS)  
 ∥ PARALLELISM  
 ○ ROUNDNESS (CIRCULARITY)  
 ∅ CYLINDRICITY  
 △ PROFILE OF ANY SURFACE  
 ∩ PROFILE OF ANY LINE  
 ↗ RUNOUT  
 ⊕ TRUE POSITION  
 ⊙ CONCENTRICITY  
 = SYMMETRY  
 ASME Y14.5M 1994

UNLESS OTHERWISE SPECIFIED DIM. TOLERANCES ARE AS FOLLOWS:  
 INCH X XX XXX XXXX  
 mm ±0.5 ±0.13 ±0.013  
 ANG. ±.50 DEG  
 REMOVE BURRS & BREAK SHARP EDGES:  
 INCH .003-.015 mm 0.1-0.4  
 CORNER FILLETS TO:  
 INCH .020 mm 0.5  
 MACHINE SURFACES:  
 INCH 125 mm 3.2  
 METRIC DIMS. SHOWN IN [BRACKETS]

DR BY: KLINE 06-09-1997  
 APPD:  
 THIRD ANGLE PROJECTION  
 EDS DATE 11-11-2011  
 FORMAT REV G  
 CONFIDENTIAL: THIS DRAWING AND ITS INFORMATION ARE THE EXCLUSIVE AND CONFIDENTIAL PROPERTY OF REGAL-BELOIT CORPORATION AND ARE NOT TO BE DISCLOSED, DUPLICATED, DISTRIBUTED OR OTHERWISE USED WITHOUT THE WRITTEN CONSENT OF REGAL-BELOIT CORPORATION. -ALL RIGHTS RESERVED.

**REGAL-BELOIT CORPORATION**  
 DESCRIPTION: OUTLINE  
 SIZE: C DWG NO: 11668-027  
 SCALE: NONE SHEET: 1

REVISION:	ECO	REVISADO POR:	FECHA:	APROBADO POR:	FECHA:
G	0025402	O. CARVAJAL	04-13-2012	D. BALDERRAMA	04-13-2012




CARACTERISTICAS DE GEOMETRIA Y SIMBOLOS  
 □ PLANICIDAD  
 — RECTITUD  
 < ANGULARIDAD  
 ⊥ PERPENDICULARIDAD (A ESCUADRA)  
 // PARALELISMO  
 ○ REDONDEZ (CIRCULARIDAD)  
 ∅ CILINDRICIDAD  
 △ PERFIL DE CUALQUIER SUPERFICIE  
 ▲ PERFIL DE CUALQUIER LINEA  
 ↗ VARIACION  
 ⊕ POSICION REAL  
 ⊙ CONCENTRICIDAD  
 = SIMETRIA  
 ASME Y14.5M 1994

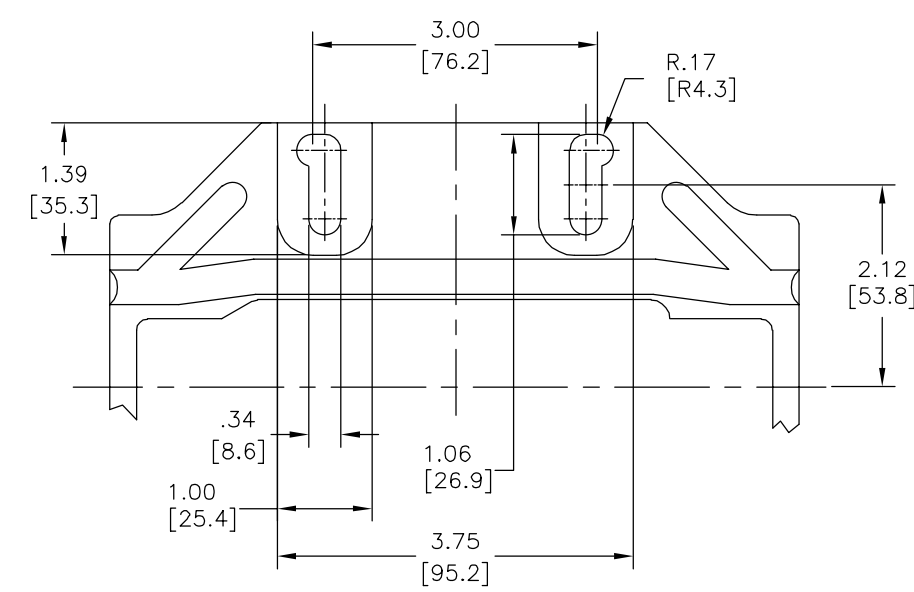
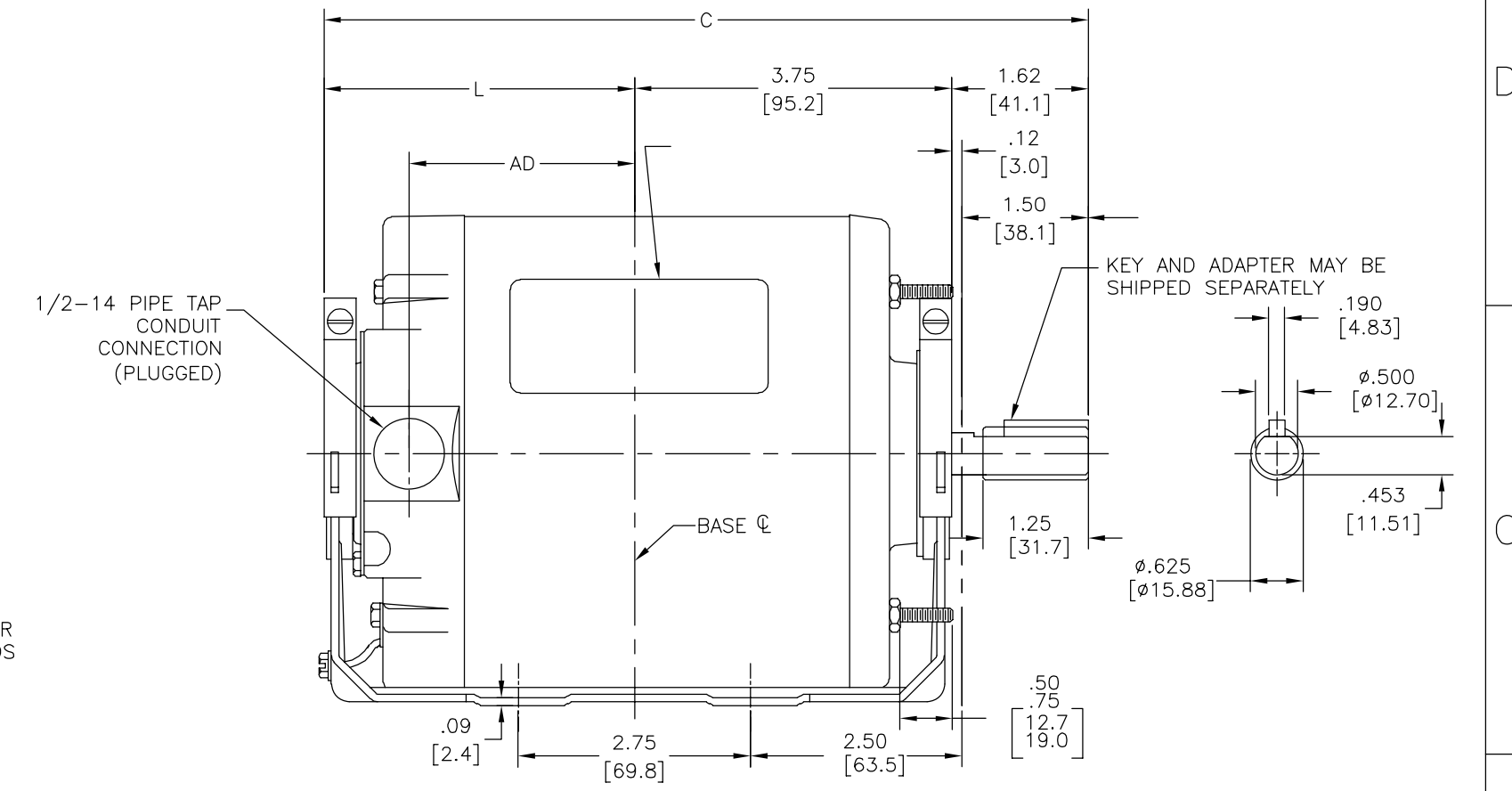
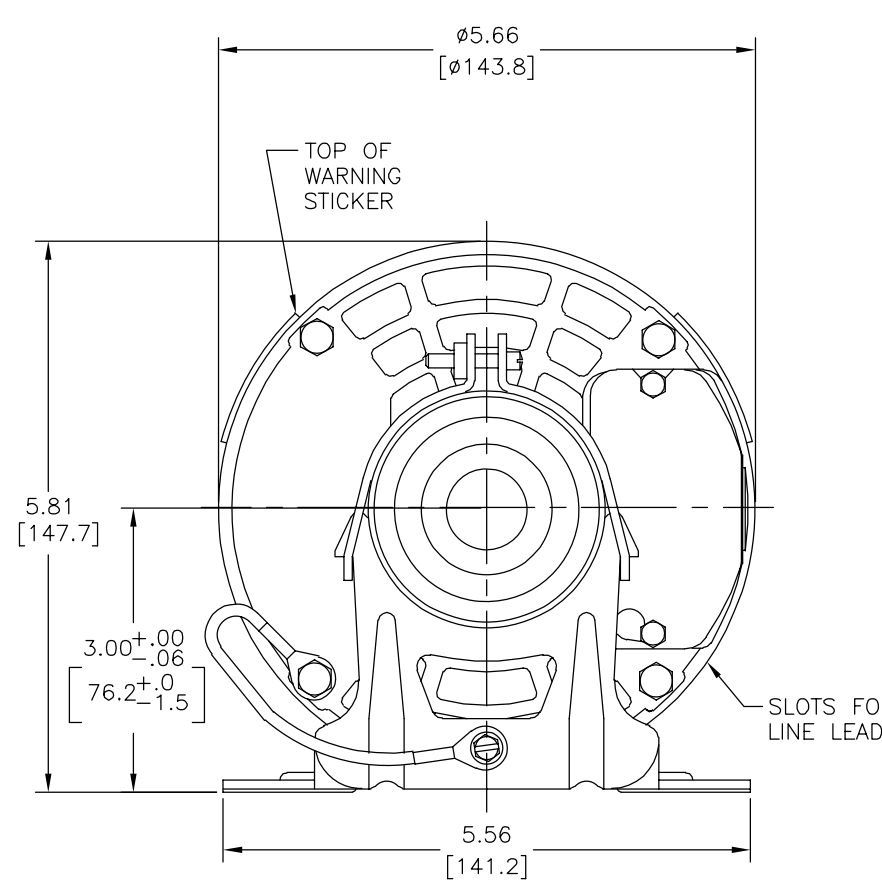
A MENOS QUE SE ESPECIFIQUE DE OTRA MANERA, LAS TOLERANCIAS DE LAS DIMS; SON LAS SIGUIENTES:  
 PULG ±.1 ±.02 ±.005 ±.0005  
 mm ±0.5 ±0.13 ±0.013  
 ANG. ±.50 GRADOS  
 ELIMINAR REBABAS Y ORILLAS FILOSAS DEL BORDE.  
 PULG .003-.015 mm 0.1-0.4  
 FILETEAR ESQUINA: PULG .020 mm 0.5  
 MAQUINAR SUPERFICIES  
 PULG 125 mm 3.2  
 DIMS METRICAS MOSTRADAS [PARENTESIS]

DIBUJADO POR: KLINE 06-09-1997  
 APROBADO POR:  
 TERCER ANGULO DE PROYECCION  
 FECHA EDS: 11-11-2011  
 REV. FORMATO: G  
 CONFIDENCIAL: ESTE DIBUJO Y SU INFORMACION SON PROPIEDAD DE USO EXCLUSIVO Y CONFIDENCIAL DE REGAL-BELOIT CORPORATION. Y NO DEBERAN SER REVELADOS, DUPLICADOS, DISTRIBUIDOS O USARSE DE OTRA MANERA SIN EL CONSENTIMIENTO ESCRITO DE REGAL-BELOIT CORPORATION. -TODOS LOS DERECHOS RESERVADOS.

**REGAL-BELOIT CORPORATION**  
 DESCRIPCION: **OUTLINE**  
 TAMAÑO: C NUMERO DE DIBUJO: 11668-027  
 ESCALA: NONE HOJA: 1

4 3 2 1

版本	ECO	编制	日期	批准	日期
G	0025402	O. CARVAJAL	04-13-2012	D. BALDERRAMA	04-13-2012




形位公差 □ 平面度 — 直线度 ∠ 倾斜度 ⊥ 垂直度 // 平行度 ○ 圆度 ⊙ 圆柱度 △ 面轮廓度 ⊖ 线轮廓度 ↗ 圆跳动 ⊕ 位置度 ⊗ 同轴度 ≡ 对称度	除另有注明 尺寸公差如下: 英寸 X XX XXX XXXX 毫米 ±0.1 ±0.02 ±0.005 ±0.0005 毫米 ±0.5 ±0.13 ±0.013 角度 ±.50 度 清理毛刺和尖棱 英寸 .003-.015 毫米 0.1-0.4 内圆角 英寸 .020 毫米 0.5 表面粗糙度 英制 125 米制 3.2 米制尺寸显示在 [ ]	绘图: KLINE 批准: 06-09-1997	名称: OUTLINE 图幅: C 图号: 11668-027 比例: NONE 页号: 1	
		第三角投影		图纸格式发布日期 11-11-2011 图纸格式版本 G
		机密: 本图纸及相关信息所有权归REGAL-BELOIT CORPORATION 未经REGAL-BELOIT CORPORATION书面授权, 不得泄露、 复制、传播或作其他用途。—版权所有		
		ASME Y14.5M 1994		米制尺寸显示在 [ ]

4 3 2 1