

# OPTIONAL ELECTRIC HEATER KIT FOR AIR HANDLER DUCTLESS SYSTEMS

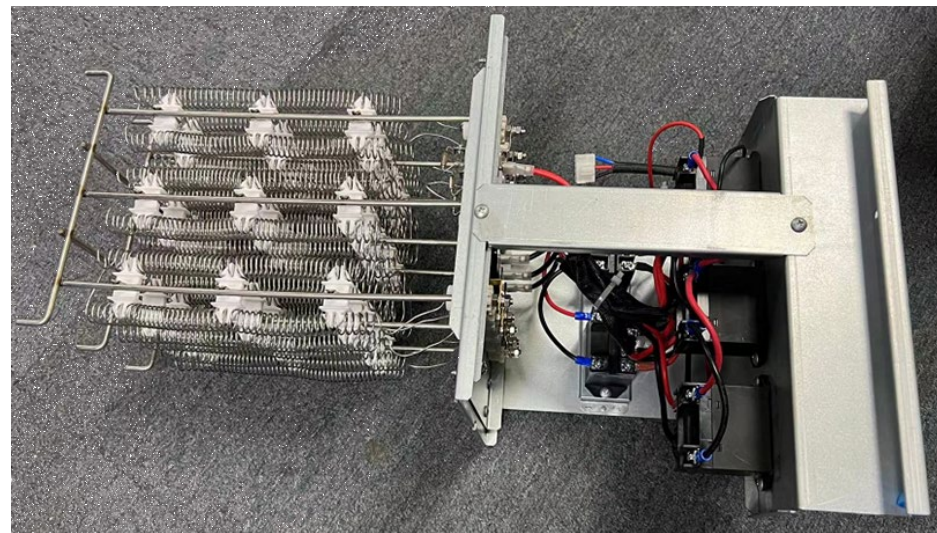
Models: EHKMB05KN, EHKMB08KN, EHKMB10KN, EHKMB15KN, EHKMB20KN, EHKMB25KN

## Submittal Data

Job Data: \_\_\_\_\_ Location: \_\_\_\_\_  
 Buyer: \_\_\_\_\_ Buyer P.O. #: \_\_\_\_\_ Carrier #: \_\_\_\_\_  
 Unit Number: \_\_\_\_\_ Model Number: \_\_\_\_\_  
 Performance Data Certified By: \_\_\_\_\_ Date: \_\_\_\_\_

### Features

- 208/230/240V Electric Heater Kits
- Mounts directly to the supply duct connection of the Air Handler
- Plug-in wiring harness for ease of installation into air handler



**IMPORTANT:**  
**A separate power is required for an Auxiliary Electric Heater.**  
 Do not power the electric heater directly from the outdoor unit. Always follow the recommendations listed on the installation instructions manuals  
 Only use these with the compatible indoor units

Image for illustration purposes only. Actual models may differ slightly.

Part numbers	Description
EHKMB05KN	Electric Heater for Air Handler 5 KW
EHKMB08KN	Electric Heater for Air Handler 8 KW
EHKMB10KN	Electric Heater for Air Handler 10 KW
EHKMB15KN	Electric Heater for Air Handler 15 KW
EHKMB20KN	Electric Heater for Air Handler 20 KW
EHKMB25KN	Electric Heater for Air Handler 25 KW

### Parts included

- Electric Heater kit
- Installation manual
- Screws
- Rubber Cap
- Wiring Diagram

## Compatibility

Air Handler Ductless system only. Refer to the product data of the air handlers 40MBAB / DLFSAB / DLFLAB / 40MUAA / DLFUAA for specific model numbers.

## Electrical Specifications

Heater Kit Size (KW)	Model Number	MCA Circuit 1 208V/230V	MCA Circuit 2 208V/230V	MCA Circuit 3 208V/230V	MOCP Circuit 1 208V/230V	MOCP Circuit 2 208V/230V	MOCP Circuit 3 208V/230V
5	<b>EHKMB05KN</b>	23.0/27.0			25.0/30.0		
8	<b>EHKMB08KN</b>	37.0/42.0			40.0/45.0		
10	<b>EHKMB10KN</b>	46.0/53.0			50.0/60.0		
15	<b>EHKMB15KN</b>	23.0/27.0	46.0/53.0		25.0/30.0	50.0/60.0	
20	<b>EHKMB20KN</b>	46.0/53.0	46.0/53.0		50.0/60.0	50.0/60.0	
25	<b>EHKMB25KN</b>	23.0/27.0	46.0/53.0	46.0/53.0	25.0/30.0	50.0/60.0	50.0/60.0

### Notes:

60 Hz

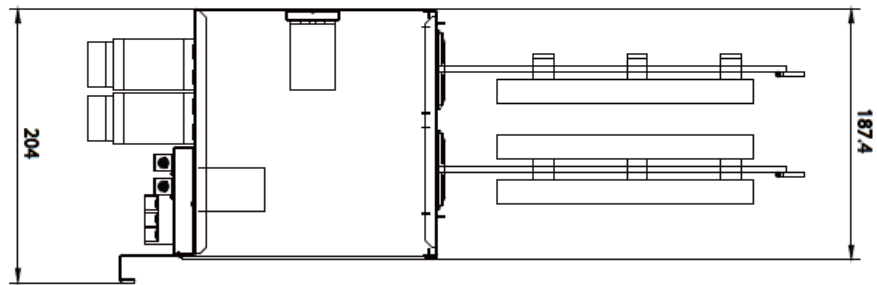
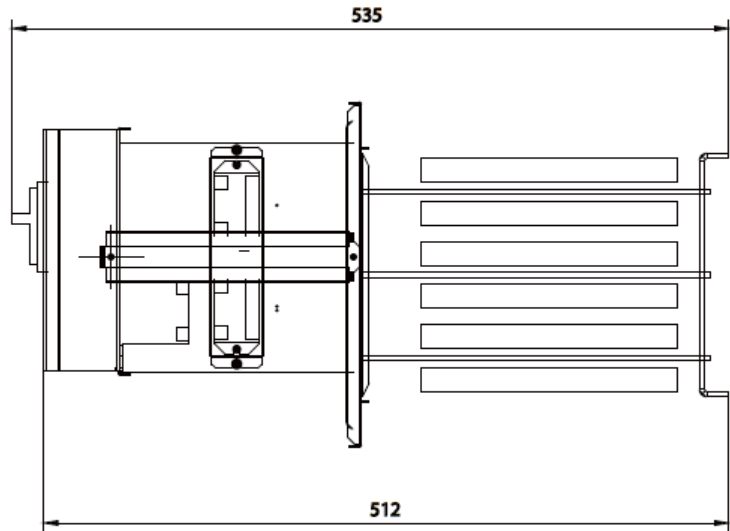
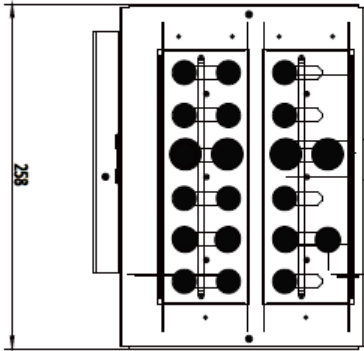
Separate power required for the electric heaters

Separate circuit breaker field supplied required to be installed

## Dimensions

Electric heater size		5KW	8KW	10KW	15KW	20KW	25KW
Model number		<b>EHKMB05KN</b>	<b>EHKMB08KN</b>	<b>EHKMB10KN</b>	<b>EHKMB15KN</b>	<b>EHKMB20KN</b>	<b>EHKMB25KN</b>
Height (H)	In/ (mm)	8.03 (204)					
Width (W)	In/ (mm)	21.06 (535)					
Depth (D)	In/ (mm)	10.16 (258)					11.81 (300)
Weight - Net	lbs. (kg)	5.7 (2.6)	7.3 (3.3)	6.8 (3.1)	9.0 (4.1)	10.1 (4.6)	13.0 (5.9)

5kW - 20kW



25kW

