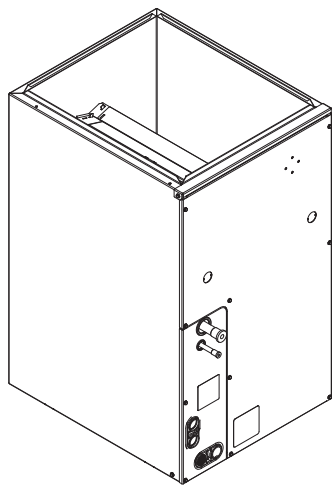
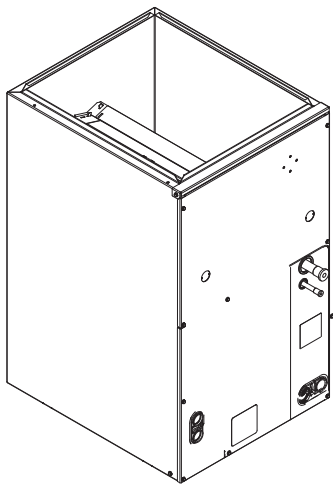


Product Data



CAPMP / CARMP

A06009



CAPMP / CARMP
(3619, 4823, 6025)

A07904

The CAPMP and CARMP evaporator coils incorporate proven standards for reliable system operation and performance throughout the life of a quality Carrier Air Conditioner or Heat Pump system. Evaporator coils manufactured by Carrier and installed as part of a total comfort system provide ARI-rated performance ratings and are additionally listed with UL and c-UL. The coils are available for use in Puron® Refrigerant (R-410A) and R-22 systems. The CAPMP and CARMP are cased A-coils that are housed in a durable, 22 gauge, pre-painted taupe metallic cabinet. The fully-insulated cabinet (foil faced with R-2.1 insulation properties) provides for quiet, efficient operation of the evaporator coil. The coils are available in sizes 018 through 060 (1.5 - 5 tons). These multipoise coils offer the most in installation application flexibility, one coil for a variety of applications with fewer SKUs to stock.

DESIGN FEATURES

Performance — Designed with performance in mind, these new A-coils offer low pressure drops to enhance system performance and airflow characteristics.

Thermostatic Expansion Valves (TXV) — All Carrier coils have refrigerant-specific, factory-installed TXVs.

Durable Condensate Pans (2) — The corrosion-resistant drain pans, one for vertical applications and one for horizontal, are designed in a new “fiberglass reinforced thermoset polyester” material (FRTP) that offers unsurpassed pan strength. It is engineered with proper slope in both pans to help ensure water drainage, improved moisture removal, and home comfort.

Refrigerant Connections — The coils are provided with industry proven sweat connections for leak-free operation to maintain system reliability. The side mounting tubing to the coil slabs allows for easy cleaning/servicing of the coils, as well as easy access to the TXV.

Burst Pressure — These coils meet or exceed burst pressure of 2100 psi which is at least three to five times the pressure they will see in actual application; good for either Puron Refrigerant (R-410A) or R-22 refrigerant designs.

UV Knockouts — The cased coils also come with factory-installed UV knockouts for quick and easy installation of UV lights.

Serviceability — All the coils come with a “split delta plate” for easy, quick access to the coil for service and cleaning. Also, after the door is removed, the coils are removable from the front of the unit without use of any tools.

MODEL NUMBER NOMENCLATURE

1 2 3 4 5 6 7 8 9 10 11 12
 C A P M P 1 8 1 4 A C A

Product
 C = Coil

Type
 A = A Coil

Refrigerant Type
 P = Puron® Refrigerant (R-410A) TXV
 R = R-22 TXV

Coil Configuration
 M = Multipoise

Cabinet Finish
 P = Painted

Variations
 A = Basic

Tubing Design
 C = Copper

Revision Level
 A = 1st

Cabinet Width
 14 = 14-in (356 mm) 23 = 23-in (584 mm)
 17 = 17-in (432 mm) 24 = 24-in (610 mm)
 19 = 19-in (483 mm) 25 = 25-in (635 mm)
 21 = 21-in (533 mm)

Unit Capacity
 18 = 1 1/2 Ton 42 = 3 1/2 Ton
 24 = 2 Ton 48 = 4 Ton
 30 = 2 1/2 Ton 60 = 5 Ton
 36 = 3 Ton

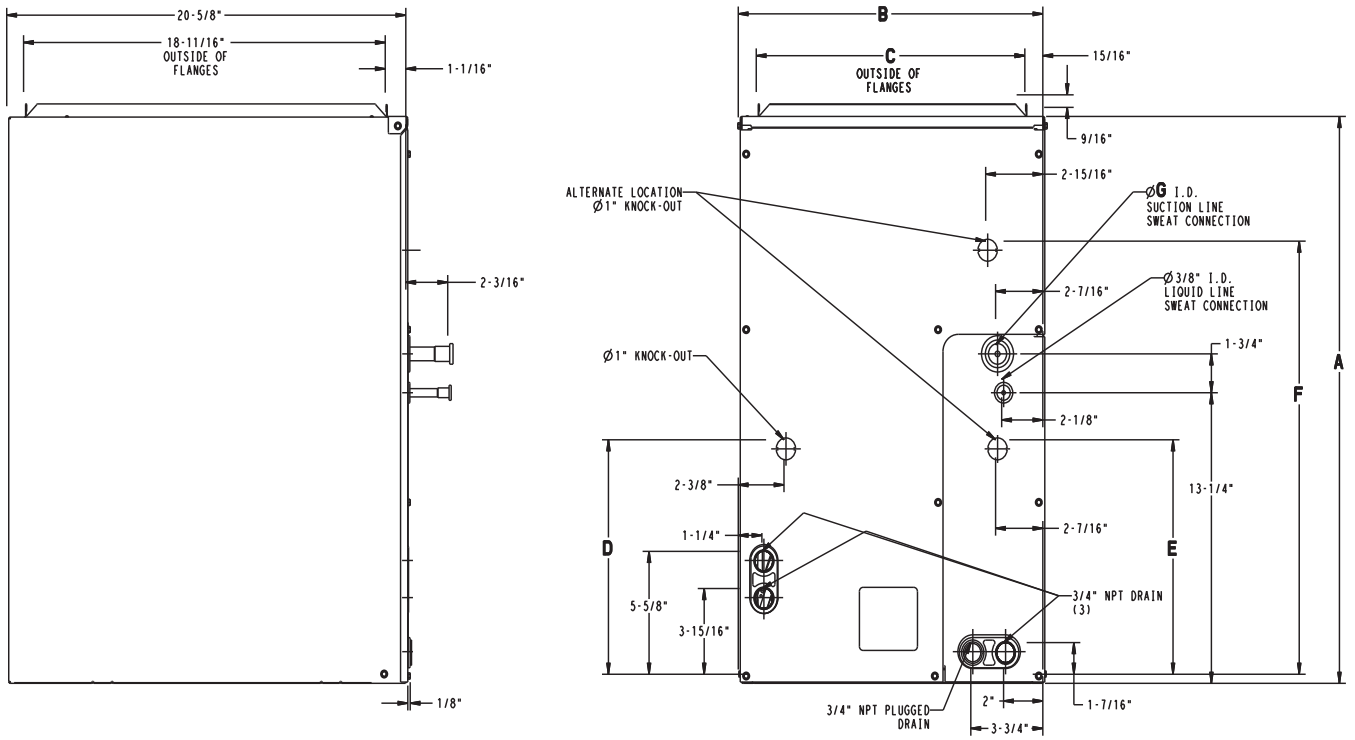


Use of the AHRI Certified TM Mark indicates a manufacturer's participation in the program. For verification of certification for individual products, go to www.ahridirectory.org.

ISO 9001:2000



CAPMP / CARMP

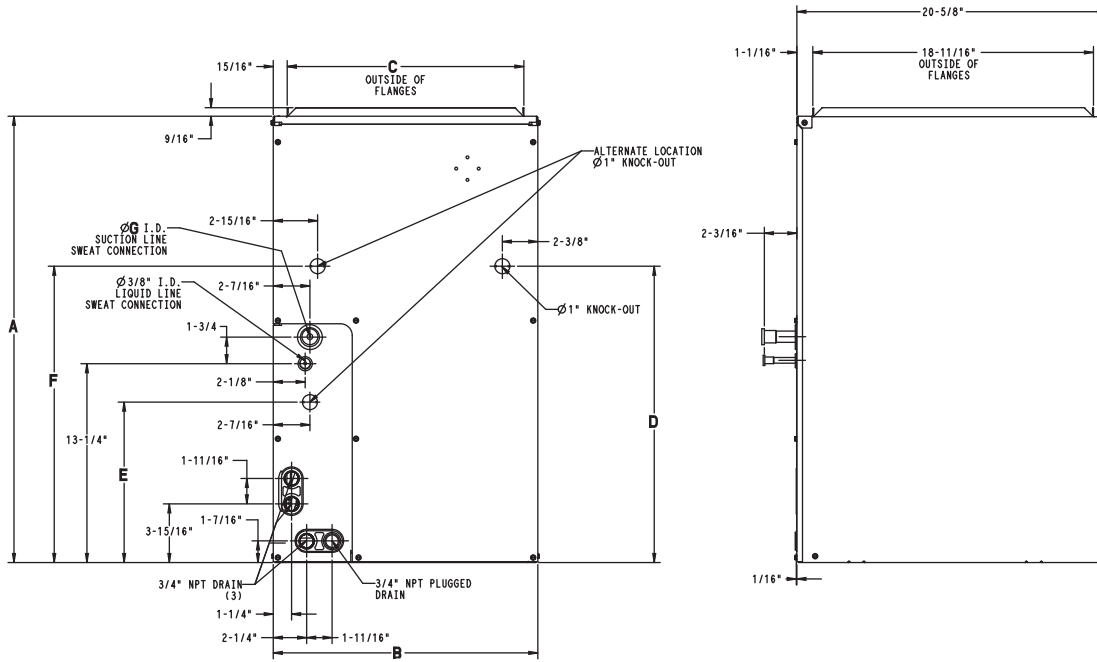


CAPMP / CARMP

A07811

DIMENSIONS

UNIT	A (IN.)	B (IN.)	C (IN.)	D (IN.)	E (IN.)	F (IN.)	G (IN.)	SHIPPING WT. (LBS.)
CAPMP3619ACA	29-3/4	19-1/4	17-1/2	19-3/4	-	19-3/4	3/4	69.5
CAPMP4823ACA	29-3/4	22-7/8	21-1/8	19-3/4	-	19-3/4	7/8	83.0
CAPMP6025ACA	35	24-1/4	22-3/4	19-3/4	-	19-3/4	7/8	97.0
CARMP3619ACA	29-3/4	19-1/4	17-1/2	19-3/4	-	19-3/4	3/4	69.5
CARMP4823ACA	29-3/4	22-7/8	21-1/8	19-3/4	-	19-3/4	7/8	83.0
CARMP6025ACA	35	24-1/2	22-3/4	19-3/4	-	19-3/4	7/8	97.0



A06502

DIMENSIONS

UNIT	A (IN.)	B (IN.)	C (IN.)	D (IN.)	E (IN.)	F (IN.)	G (IN.)	SHIPPING WT. (LBS.)	
								Non-Coated Hairpins (C)	Tin-Coated Hairpins (T)
CAPMP1814A(C,T)A	25-13/16	14-3/16	12-7/16	17-3/16	10-11/16	-	5/8	49.5	50.5
CAPMP2414A(C,T)A	25-13/16	14-3/16	12-7/16	17-3/16	10-11/16	-	5/8	51.5	52.5
CAPMP2417A(C,T)A	25-13/16	17-1/2	15-3/4	10-11/16	10-11/16	-	5/8	55.0	56.5
CAPMP3014A(C,T)A	25-13/16	14-3/16	12-7/16	17-3/16	-	19-3/4	3/4	56.5	58.0
CAPMP3017A(C,T)A	25-13/16	17-1/2	15-3/4	17-3/16	-	19-3/4	3/4	62.5	64.5
CAPMP3614A(C,T)A	29-3/4	14-3/16	12-7/16	19-3/4	-	19-3/4	3/4	63.0	65.0
CAPMP3617A(C,T)A	29-3/4	17-1/2	15-3/4	19-3/4	-	19-3/4	3/4	66.5	71.0
CAPMP3621A(C,T)A	29-3/4	21	19-1/4	19-3/4	-	19-3/4	3/4	70.5	73.0
CAPMP4221A(C,T)A	29-3/4	21	19-1/4	19-3/4	-	19-3/4	7/8	75.0	78.0
CAPMP4224A(C,T)A	29-3/4	24-1/2	22-3/4	19-3/4	-	19-3/4	7/8	79.0	82.0
CAPMP4817A(C,T)A	35	17-1/2	15-3/4	19-3/4	-	19-3/4	7/8	88.5	91.0
CAPMP4821A(C,T)A	29-3/4	21	19-1/4	19-3/4	-	19-3/4	7/8	81.0	84.0
CAPMP4824A(C,T)A	29-3/4	24-1/2	22-3/4	19-3/4	-	19-3/4	7/8	86.0	88.5
CAPMP6021A(C,T)A	35	21	19-1/4	19-3/4	-	19-3/4	7/8	93.0	96.0
CAPMP6024A(C,T)A	35	24-1/2	22-3/4	19-3/4	-	19-3/4	7/8	98.0	101.0
CARMP1814ACA	25-13/16	14-3/16	12-7/16	17-3/16	10-11/16	-	5/8	49.5	-
CARMP2414ACA	25-13/16	14-3/16	12-7/16	17-3/16	10-11/16	-	5/8	51.5	-
CARMP2417ACA	25-13/16	17-1/2	15-3/4	10-11/16	10-11/16	-	5/8	55.0	-
CARMP3014ACA	25-13/16	14-3/16	12-7/16	17-3/16	-	19-3/4	3/4	56.5	-
CARMP3017ACA	25-13/16	17-1/2	15-3/4	17-3/16	-	19-3/4	3/4	62.5	-
CARMP3614ACA	29-3/4	14-3/16	12-7/16	19-3/4	-	19-3/4	3/4	63.0	-
CARMP3617ACA	29-3/4	17-1/2	15-3/4	19-3/4	-	19-3/4	3/4	66.5	-
CARMP3621ACA	29-3/4	21	19-1/4	19-3/4	-	19-3/4	3/4	70.5	-
CARMP4221ACA	29-3/4	21	19-1/4	19-3/4	-	19-3/4	7/8	75.0	-
CARMP4224ACA	29-3/4	24-1/2	22-3/4	19-3/4	-	19-3/4	7/8	79.0	-
CARMP4817ACA	35	17-1/2	15-3/4	19-3/4	-	19-3/4	7/8	88.5	-
CARMP4821ACA	29-3/4	21	19-1/4	19-3/4	-	19-3/4	7/8	81.0	-
CARMP4824ACA	29-3/4	24-1/2	22-3/4	19-3/4	-	19-3/4	7/8	86.0	-
CARMP6021ACA	35	21	19-1/4	19-3/4	-	19-3/4	7/8	93.0	-
CARMP6024ACA	35	24-1/2	22-3/4	19-3/4	-	19-3/4	7/8	98.0	-

NOTES:

- Contact manufacturer for cooling capacities at conditions other than shown in table.
- Formulas:

$$\text{Leaving db} = \text{entering db} - \frac{\text{sensible heat cap.}}{1.09 \times \text{CFM}}$$

Leaving wb = wb corresponding to enthalpy of air leaving coil (h_{LWB})

$$h_{LWB} = h_{EWB} - \frac{\text{total capacity (Btuh)}}{4.5 \times \text{CFM}}$$

Where h_{EWB} = enthalpy of air entering coil

- SHC is based on 80°F db temperature of air entering the evaporator coil.
Below 80°F db, subtract (Correction Factor x CFM) from SHC.
Above 80°F db, add (Correction Factor x CFM) to SHC.
- Direct interpolation is permissible. Do not extrapolate.
- Fan motor heat has not been deducted.
- All data points are based on 10°F superheat leaving coil and use of thermostatic expansion valve (TXV) device.
- All units have sweat suction-tube connection and a liquid-tube connection. For 1-1/8-in. system suction tube, 3/4 x 1-1/8-in. suction tube connection adapter is available as accessory.
- The CAPMP coils can be used in any properly designed system using Puron Refrigerant (R-410A).
- The CARMP coils can be used in any properly designed system using R-22 refrigerant.
- Before using maximum cfm shown in table, check coil static pressure drop to ensure system blower can provide necessary static pressure needed for coil and duct systems.
- Bypass Factor = 0 indicates no psychometric solution. Use bypass factor of next lower EWB for approximation.

BYPASS FACTOR	ENTERING AIR DRY BULB TEMPERATURE (°F)					
	79	78	77	76	75	Under 75
	81	82	83	84	84	Above 85
Correction Factor						
0.10	0.98	1.96	2.94	3.92	4.91	Use formula shown below
0.20	0.87	1.74	2.62	3.49	4.36	
0.30	0.76	1.53	2.29	3.05	3.82	

Interpolation is permissible.

$$\text{Correction Factor} = 1.09 \times (1 - \text{BF}) \times (\text{db} - 80)$$

PERFORMANCE DATA (CONT.)

COIL STATIC PRESSURE DROP (in. w.c.) PURON® (R-410A) and R-22 REFRIGERANTS

UNIT SIZE	STANDARD CFM																			
	400	500	600	700	800	900	1000	1100	1200	1300	1400	1500	1600	1700	1800	1900	2000	2100	2200	
1814	Dry																			
	0.079	0.111	0.145	0.186	0.232															
	Wet																			
2414	0.083	0.116	0.151	0.196	0.243															
	Dry																			
	0.065	0.091	0.120	0.154	0.194	0.237	0.284													
2417	Wet																			
	0.066	0.094	0.124	0.161	0.203	0.250	0.301													
	Dry																			
3014	0.056	0.076	0.097	0.123	0.151	0.182	0.215													
	Wet																			
	0.060	0.082	0.105	0.132	0.163	0.195	0.231													
3017	Dry																			
	0.054	0.077	0.102	0.133	0.167	0.206	0.248	0.296	0.347											
	Wet																			
3017	0.059	0.084	0.111	0.142	0.181	0.223	0.269	0.319	0.375											
	Dry																			
	0.043	0.059	0.077	0.096	0.119	0.144	0.171	0.201	0.232											
3614	Wet																			
	0.046	0.063	0.083	0.105	0.130	0.157	0.186	0.219	0.252											
	Dry																			
3617	0.047	0.069	0.093	0.119	0.151	0.187	0.227	0.270	0.317	0.362	0.418									
	Wet																			
	0.053	0.076	0.101	0.129	0.162	0.200	0.241	0.286	0.335	0.388	0.447									
3621	Dry																			
	0.023	0.036	0.052	0.069	0.089	0.110	0.135	0.160	0.189	0.219	0.251									
	Wet																			
4221	0.042	0.058	0.076	0.095	0.117	0.142	0.169	0.198	0.231	0.265	0.299									
	Dry																			
	0.026	0.037	0.050	0.062	0.077	0.092	0.109	0.128	0.148	0.170	0.193									
4224	Wet																			
	0.029	0.040	0.053	0.065	0.082	0.099	0.119	0.138	0.160	0.185	0.209									
	Dry																			
4817			0.044	0.056	0.068	0.082	0.099	0.119	0.138	0.161	0.183	0.205	0.233							
	Wet																			
			0.058	0.073	0.089	0.106	0.125	0.143	0.165	0.189	0.213	0.239	0.268							
4821	Dry																			
			0.039	0.049	0.060	0.072	0.085	0.099	0.114	0.130	0.146	0.164	0.182							
	Wet																			
4824			0.054	0.066	0.079	0.092	0.103	0.125	0.142	0.161	0.182	0.202	0.222							
	Dry																			
			0.065	0.082	0.105	0.128	0.156	0.185	0.216	0.253	0.290	0.331	0.372	0.417	0.464					
6021	Wet																			
			0.066	0.084	0.106	0.130	0.159	0.188	0.222	0.256	0.296	0.337	0.379	0.425	0.476					
	Dry																			
6024			0.055	0.072	0.089	0.107	0.128	0.150	0.175	0.199	0.228	0.257	0.288	0.321	0.356					
	Wet																			
			0.058	0.075	0.094	0.115	0.136	0.161	0.188	0.217	0.247	0.279	0.313	0.347	0.386					
6021	Dry																			
			0.044	0.056	0.069	0.084	0.100	0.118	0.137	0.159	0.180	0.198	0.222	0.247	0.275					
	Wet																			
6024			0.052	0.065	0.080	0.095	0.112	0.131	0.150	0.171	0.193	0.214	0.241	0.270	0.296					
	Dry																			
					0.075	0.093	0.112	0.133	0.157	0.181	0.206	0.234	0.264	0.294	0.326	0.360	0.396	0.432	0.478	
6024	Wet																			
					0.077	0.095	0.115	0.137	0.159	0.184	0.209	0.238	0.268	0.300	0.334	0.370	0.407	0.444	0.488	
	Dry																			
6024					0.073	0.083	0.095	0.107	0.120	0.136	0.152	0.169	0.184	0.203	0.217	0.238	0.260	0.283	0.307	
	Wet																			
					0.076	0.086	0.098	0.110	0.124	0.140	0.157	0.175	0.193	0.215	0.238	0.261	0.286	0.314	0.342	

CAPMP / CARMP